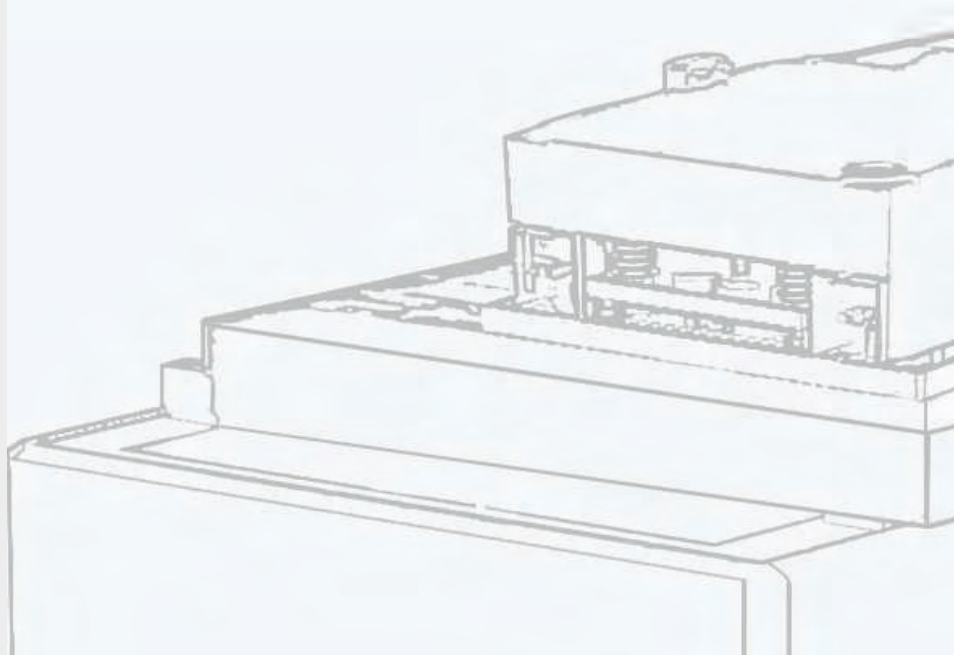


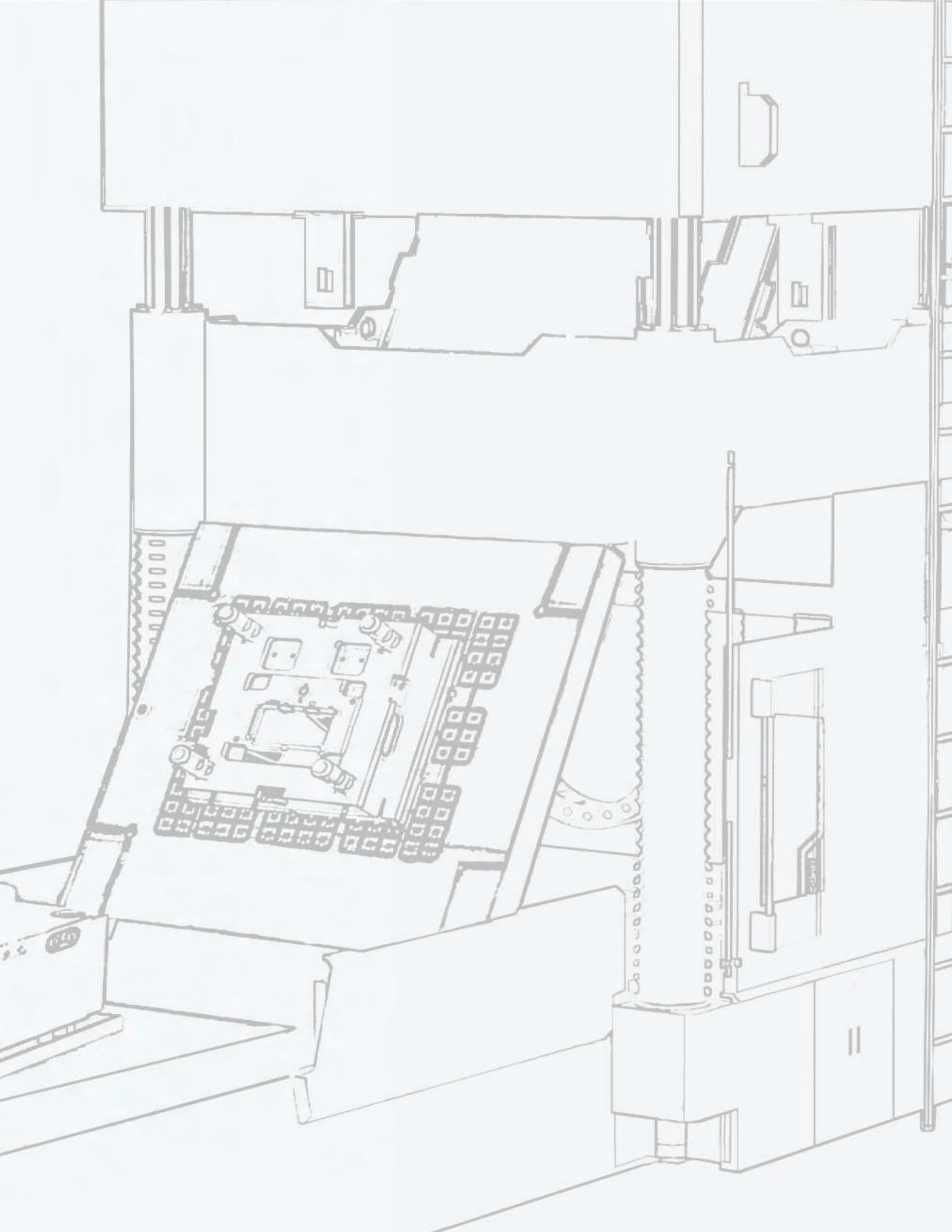
DIE SPOTTING PRESS



contents

About SXXH	03-04
SXXH GLOBAL	05-06
HMG-JM One Way	07-08
HMG-ES Two Way	09-10
The Customer Side	11-12
Die Spotting Press Dimensions	13-14
XS Series Die Spotting Press	15-16
New Function of Die Spotting Press	17-18
90° Mold Flipper	19
Our Customer	20





About SXKH



The headquarters of SXXH Industry is located in Ningbo, China, and we are dedicated to providing peripheral equipment of Die & Mold industry to global customers.

SXXH, founded by Mr. Guangshun Cai in 2009, is a typical family company. SXXH Industry consists of below companies.



Ningbo Shunxingkaihao Machinery Co., Ltd.

Located in Ningbo, China, it is mainly engaged in designing, producing and selling Die Spotting Press, Mold Flipper, Mold Inspection Machine, Hydraulic Clamps and Electro-permanent Magnetic Chuck. Ningbo SXXH owns two plants in Ningbo with annual output of 200 sets of die spotting presses, which is one of the first domestic manufacturers of die spotting press.

Shanghai SXXH Automation CO., Ltd.

Located in Shanghai, China, it is mainly engaged in providing import service of High-end equipment from Europe and America to Chinese market, including installation and after-sales service. For instance: the six-axis machining center from Moldmak, Portugal, which is the world leading company in Milling & Drilling machine. Meanwhile, Shanghai SXXH also provides Chinese top-quality mold & tool processing equipment to global customers.

SXXH Automation India Private Limited

Located in New Delhi, India, it is responsible for all businesses in India market of SXXH Industry.

SXXH(HONG KONG)Industry Limited

Located in Hongkong, it is mainly engaged in the development of SXXH Industry business and industrial investment.

Ningbo Trans-Artisan Translation Co., Ltd.

As an independent language service enterprise under SXXH Global, it provides strong multi-language support for Chinese manufacturing enterprises to enter the international market.

顺 扬风帆龙传人

兴 致勃勃显精神

开 拓进取创伟业

浩 然正气满乾坤

Canada
(Dynamic International)

SXKH United States
(Dynamic International)

Mexico **SXKH**

Italy

Spain

Portugal

SXKH Hongk

India:16%

Europe:15%

North America:13%

Other:6%

China:50%

Brazil



Ningbo Headquarters

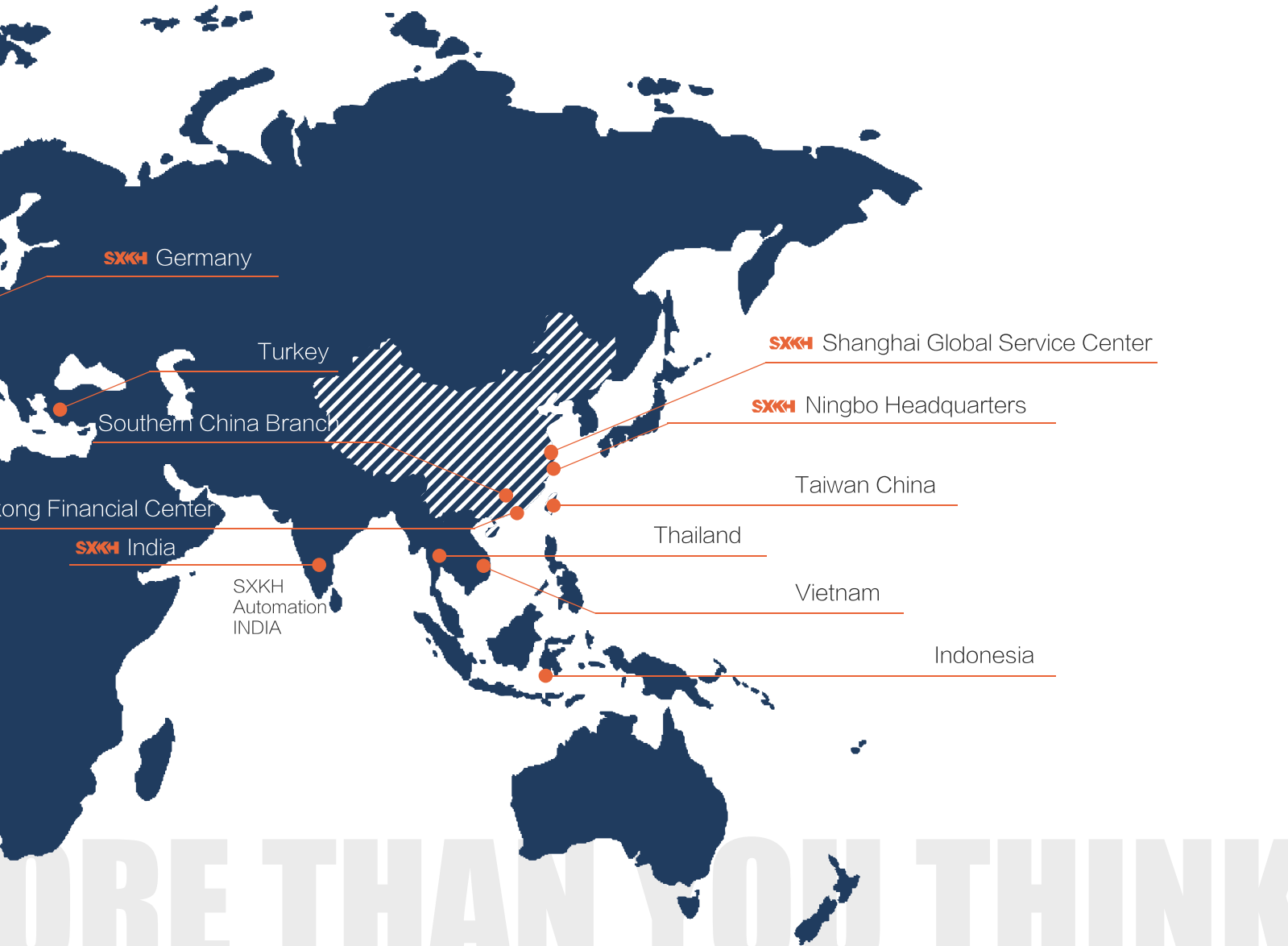


Ningbo Second Branch Factory



Suzhou Magnetics Factory

We wish to have our presence across the world.
We also sincerely welcome new partners to join hands
with SXXH to help us reach out to global industries.



SXXH Shanghai Global Service Center



SXXH German Factory



SXXH India



HMG-JM One Way



Optional: Opposite Way



■ HMG-70JM- HMG-400JM

	HMG-70JM 1008	HMG-120JM 1411	HMG-160JM 1613	HMG-200JM 1814	HMG-280JM 2016	HMG-320JM 2218	HMG-350JM 2520	HMG-400JM 3020
Max. Clamping Force (T)	70	120	160	200	280	320	350	400
Max. Opening Force (T)	22	26	40	46	50	56	70	100
Load Capacity on Upper Platen (T)	2.5	4	8	10	15	20	26	26
Load Capacity on Lower Platen (T)	4	8	16	20	25	36	42	50
Platen Dimension (mm)	1000×800	1400×1100	1600×1300	1800×1400	2000×1600	2200×1800	2500×2000	3000×2000
Distance Between Pillars (mm)	1210	1665	1880	2080	2280	2590	2890	3370
Max. Daylight (mm)	1100	1470	1660	1800	1950	2230	2440	2440
Min. Daylight (mm)	110	170	160	200	170	130	340	340
Overturn Degree for Upper Platen (°)	180	180	180	180	180	180	180	180
Max. Ejector Force (T)	3	3	7	7	10	10	10	10
Stroke for Ejector Testing (mm)	220	220	250	250	250	250	250	220
Machine Dimension (mm)	4200×1700 ×3800	5400×2200 ×4750	5600×2550 ×5300	5650×2560 ×5800	6600×3075 ×5550	7400×3400 ×6900	8100×3600 ×7300	8100×4200 ×7600
Total Weight (T)	10	20	27	28	41	53	69	82

■ HMG-500JM~HMG-1000JM

	HMG-500JM 3020	HMG-500JM 3121	HMG-600JM 3525	HMG-600JM 4025	HMG-600JM 4030	HMG-800JM 4235	HMG-1000JM 5042
Max. Clamping Force (T)	500	500	500/600	600	600	800	1000
Max. Opening Force (T)	150	150	160	160	160	210	240
Load Capacity on Upper Platen (T)	30	30	32	40	50	80	110
Load Capacity on Lower Platen (T)	60	60	70	80	90	160	210
Platen Dimension (mm)	3000×2000	3100×2100	3500×2500	4000×2500	4000×3000	4200×3500	5000×4200
Distance Between Pillars (mm)	3370	3470	3900	4400	4400	4600	5400
Max. Daylight (mm)	2700	2950	3200	3200	3700	4100	4500
Min. Daylight (mm)	350	360	400	400	400	400	450
Overturn Degree for Upper Platen (°)	180	180	180	180	180	180	180
Max. Ejector Force (T)	12	12	12	12	12	20	20
Stroke for Ejector Testing (mm)	300	300	300	300	300	300	300
Machine Dimension (mm)	8100×4200 ×8100	8500×4450 ×8600	9900×4900 ×9400	10200×4900 ×9600	11600×5400 ×10400	13000×5450 ×10900	15305×7000 ×12500
Total Weight (T)	88	113	140	170	180	235	320

■ Workflow

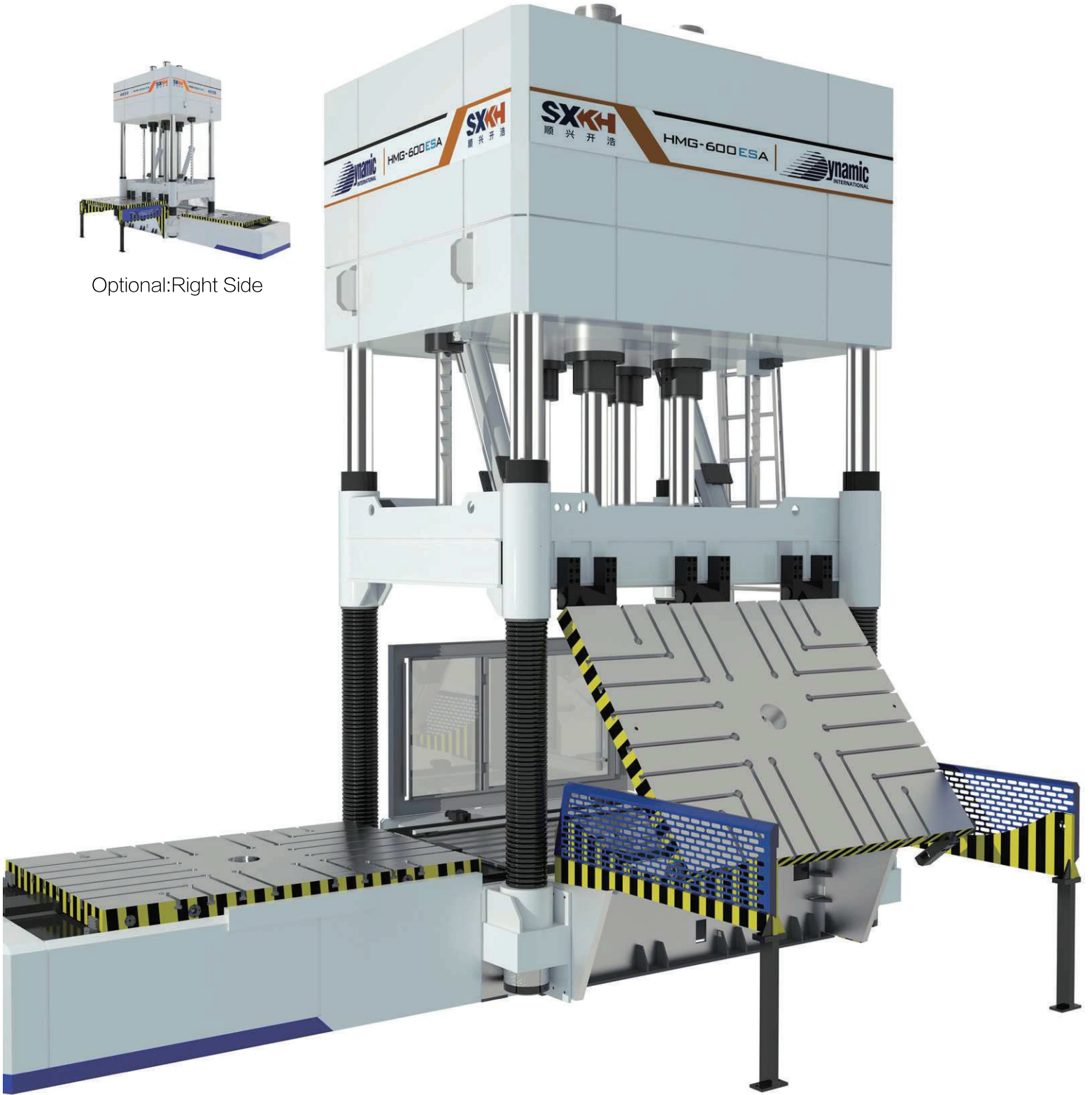




HMG-ES Two Way



Optional: Right Side



■ HMG-70ES~HMG-400ES

	HMG-70ES 1008	HMG-120ES 1411	HMG-160ES 1613	HMG-200ES 1815	HMG-280ES 2016	HMG-320ES 2218	HMG-350ES 2520	HMG-400ES 3020
Max. Clamping Force (T)	70	120	160	200	280	320	350	400
Max. Opening Force (T)	22	26	40	46	50	56	70	100
Load Capacity on Upper Platen (T)	2.5	4	8	10	15	20	26	26
Load Capacity on Lower Platen (T)	4	8	16	20	25	36	42	50
Platen Dimension (mm)	1000×800	1400×1100	1600×1300	1800×1500	2000×1600	2200×1800	2500×2000	3000×2000
Distance Between Pillars (mm)	940	1300	1520	1720	1820	2100	2280	2280
Max. Daylight (mm)	1100	1500	1700	1900	2000	2300	2500	2500
Min. Daylight (mm)	150	200	200	200	200	200	400	400
Overtum Degree for Upper Platen (°)	180	180	180	180	180	180	180	180
Max. Ejector Force (T)	3	3	7	7	10	10	10	10
Stroke for Ejector Testing (mm)	220	220	250	250	250	250	250	300
Machine Dimension (mm)	2950×2800 ×3800	4000×3850 ×4750	4600×4000 ×5300	5000×4300 ×5800	5400×4600 ×6000	6200×5300 ×6900	6800×5700 ×7300	7600×5670 ×7600
Total Weight (T)	10	20	27	32	41	53	69	82

■ HMG-500ES~HMG-1000ES

	HMG-500ES 3020	HMG-500ES 3121	HMG-600ES 3525	HMG-600ES 4025	HMG-600ES 4030	HMG-800ES 4235	HMG-1000ES 5042
Max. Clamping Force (T)	500	500	500/600	600	600	800	1000
Max. Opening Force (T)	150	150	160	160	160	210	240
Load Capacity on Upper Platen (T)	30	30	32	40	50	80	110
Load Capacity on Lower Platen (T)	60	60	70	80	90	160	210
Platen Dimension (mm)	3000×2000	3100×2100	3500×2500	4000×2500	4000×3000	4200×3500	5000×4200
Distance Between Pillars (mm)	2280	2400	2780	2800	3300	3800	4500
Max. Daylight (mm)	2700	3000	3200	3200	3700	4100	4500
Min. Daylight (mm)	400	400	400	400	400	400	450
Overtum Degree for Upper Platen (°)	180	180	180	180	180	180	180
Max. Ejector Force (T)	12	12	12	12	12	20	20
Stroke for Ejector Testing (mm)	300	300	300	300	300	300	300
Machine Dimension (mm)	7600×5670 ×8100	8000×6070 ×8600	8900×6400 ×9400	9860×6400 ×9600	9860×7485 ×10400	10350×9185 ×11550	11000×9985 ×12500
Total Weight (T)	88	113	140	170	180	235	320

■ Workflow





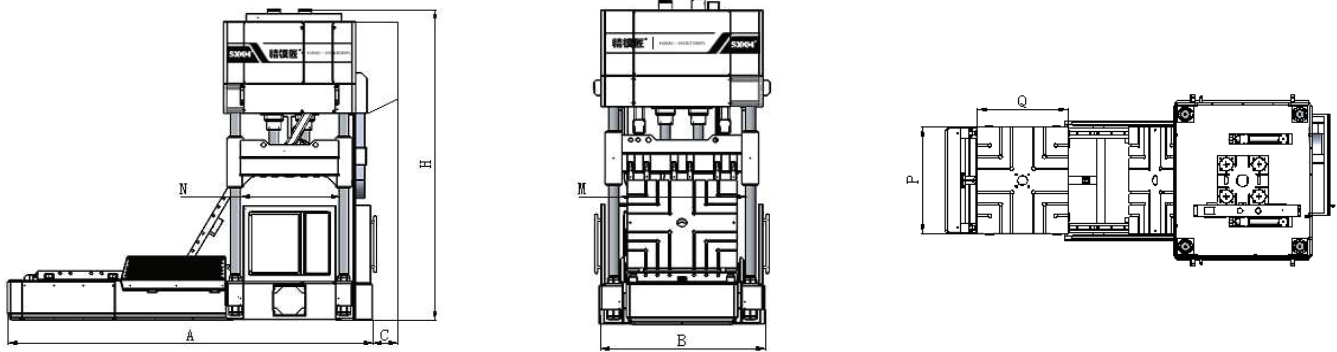
The Customer Side







Machine Dimension



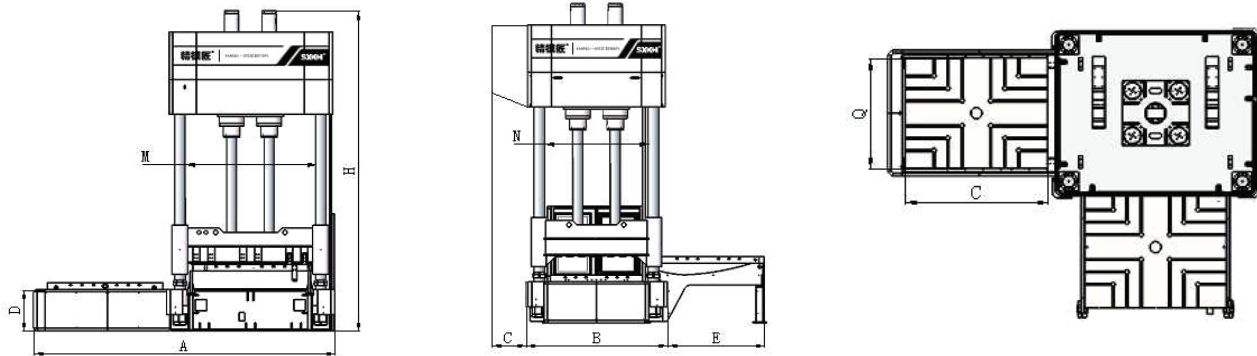
One Way	A	B	C	D	H	M	N	P	Q
HMG-70JM1008	3600	1700	600	530	3800	1210	940	1000	800
HMG-120JM1411	4800	2200	600	630	4750	1665	1300	1400	1100
HMG-160JM1613	5600	2550	0	730	5300	1880	1520	1600	1300
HMG-200JM1814	5650	2560	0	730	5550	2080	1620	1800	1400
HMG-280JM2016	6600	2950	0	790	6000	2280	1820	2000	1600
HMG-320JM2218	7400	3400	0	930	6900	2590	2100	2200	1800
HMG-350JM2520	8100	3600	0	930	7300	2890	2300	2500	2000
HMG-400JM3020	8100	4200	0	980	7600	3370	2280	3000	2000
HMG-500JM3020	8100	4200	0	980	8100	3370	2280	3000	2000
HMG-500JM3121	8500	4450	0	1080	8600	3470	2400	3100	2100
HMG-600JM3525	9900	4900	0	1130	9400	3900	2800	3500	2500
HMG-600JM4025	10100	4900	0	1130	9600	4400	2800	4000	2500
HMG-600JM4030	11600	5400	0	1130	10400	4400	3300	4000	3000
HMG-800JM4235	13300	5450	0	1230	10900	4600	3900	4200	3500
HMG-1000JM5042	15305	7000	0	1230	12500	5400	4020	5000	4200

■ Die Spotting press is the most sure & safe way to check the butting of core & cavity of Die & Mould.

It allows you to conveniently match all the parts of the mould in more comfortable position. Check and finish the die at one place in more ergonomic position.

WHY DIE SPOTTING PRESS:

- No more dangerous die / mould handling by means of cranes, forklift trucks or lifting equipment.
- No more spotting on injection moulding machines, which are cost-intensive and difficult to access.
- Optimal accessibility and ergonomics by means of rotating and tilting platens.
- Low operating and maintenance costs.
- High Flexibility.
- Considerable reduction of correction grinding through reproducibility.



Two Way	A	B	C	D	H	M	N	E	P	Q
HMG-70ES1008	2950	1250	650	530	3800	1210	940	1000	1000	800
HMG-120ES1411	4000	1700	600	630	4750	1665	1300	1550	1400	1100
HMG-160ES1613	4400	2200	0	730	5300	1880	1620	1550	1600	1300
HMG-200ES1815	5000	2400	0	790	5800	2080	1720	1750	1800	1500
HMG-280ES2016	5400	2500	0	790	6000	2280	1820	1850	2000	1600
HMG-320ES2218	6200	2900	0	980	6900	2590	2100	2250	2200	1800
HMG-350ES2520	6800	3100	0	930	7400	2890	2300	2200	2500	2000
HMG-400ES3020	7600	3200	0	980	8100	3370	2280	2250	3000	2000
HMG-500ES3020	7600	3200	0	980	7850	3370	2280	2250	3000	2000
HMG-500ES3121	8000	3400	0	1080	8600	3470	2400	2300	3100	2100
HMG-600ES3525	8900	3800	0	1130	9400	3900	2800	2900	3500	2500
HMG-600ES4025	9860	3800	0	1130	9600	4400	2800	2900	4000	2500
HMG-600ES4030	9860	4300	0	1130	10400	4400	3300	3400	4000	3000
HMG-800ES4235	10350	5285	0	1230	10900	4600	3900	3900	4200	3500
HMG-1000ES5042	11000	5385	0	1230	12500	5400	4020	4600	5000	4200

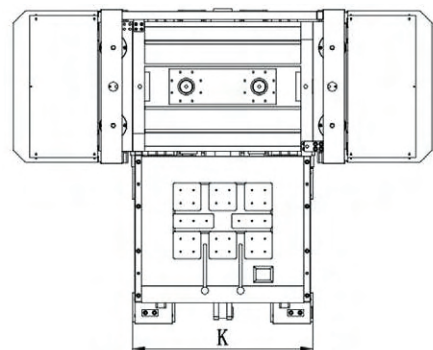
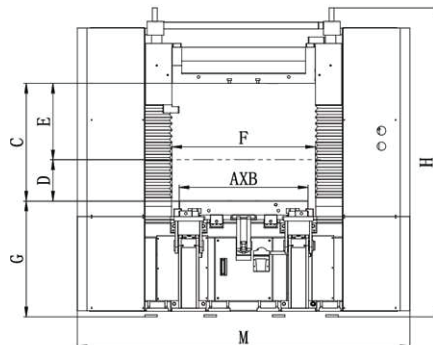
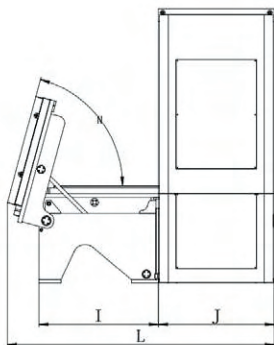
The Advancements and Advantages

High standard of configuration ensures the excellent performance of press, and all the main components for mechanical processing are manufactured by imported machining center, to ensure machining precision of press elements. The shift-out rail of lower platen adopts wear resistant rail with intensified handle and large-scale dust-proof device; Hydraulic system adopts optimal combination of imported high performance hydraulic elements, and oil pump hydraulic valve is the world first-class brand.

- CE Marked product with Certificate of Conformity ,North American LPC Electrical Safety Certification
- Using high tensile rod to provide higher accuracy and to make more convenient for platen parallelism adjustment when the mold is closed with high pressure.
- Achieving digital PLC controlled by computer, all of the parameters can be displayed by the Siemens touch screen and free to set up.
- Four Encoders with optional function to measure parallelism real time and protect mold during the clamping period.
- Sufficient Safety Devices and Pneumatic-mechanical locks for upper table.
- Using four mold clamping cylinders to make stress even when the mold is closed with high pressure.
- Using quick cylinder device, it speeds up null stroke without mold closing, and it makes lower energy consumption and more energy conservation.
- Using Anti-dropping, safety devices with suspension type to make your mold and machine safer.
- Using Oil-free self-lubrication, it makes the machine cleaner and more environmentally friendly.
- Providing practical reliable failure detection and alarm and low-pressure mold protection functions.



XS Series Die Spotting Press



Model	Unit	HMG-30XS0706	HMG-30XS1008	HMG-50XS1310	HMG-70XS1510
Max. Clamping Force	kN	300	300	500	700
Max. Opening Force	kN	200	200	300	500
Table Size(A*B)	mm	700*600	1000*800	1300*1000	1500*1000
Max. Daylight	mm	800	920	1200	1200
Min. Daylight	mm	250	320	450	450
Load Capacity on Lower Platen	kg	2500	4000	7000	8000
Load Capacity on Upper Platen	kg	1000	1500	2500	2500
Down Speed of Upper Platen	mm/s	6-25	6-25	6-20	6-20
Up Speed of Upper Platen	mm/s	20	20	15	15
Rotating Speed of Upper Platen	rmp	2	2	2	2
Power	kw	6.5	9.2	9.2	12

	C	D	E	F	G	H	I	J	K	L	M	N
HMG-30XS0706	800	250	550	850	900	2350	770	880	900	1700	2300	-
HMG-30XS1008	920	320	600	1100	900	2400	950	1050	1200	2200	2650	75
HMG-50XS1310	1200	450	750	1400	850	2750	1250	1160	1300	2800	3200	75
HMG-50XS1510	1200	450	750	1600	850	2750	1250	1160	1300	2800	3500	75

- Ultra-low machine height, solve the height restriction problem of traditional die spotting press.
- Small worktable size, suitable for small size precision mold.
- Equipped with electro permanent magnetic chuck.
- Full close-loop servo system, conveniently adjust machine precision whenever necessary.
- Additional mold clamping booster device (patented product)
- Ergonomic design to ease the lumbar muscle strain of operator.

■ Workflow

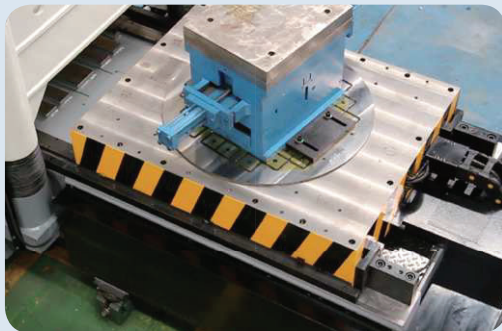


New Functions of Die Spotting Press

1 The Lower Platen Can be Tilted Both Front and Back by 70°

SXKH two way type die spotting press has the optional function of 70° tilting front and back, for the lower platen.

This function enables lower platen to tilt by 70° once lower platen move out. Thus operator can repair mold without bend down, which greatly eases the lumbar muscle strain injury of operators.



2 Rotary Table

Lower Platen has rotary function from 0° to 120° to 240° or 0° to 180° . This function is mainly used for the tryout of two-color and three-color molds. Machine can be equipped with electric permanent magnet chuck to furtherly ensure the precision of multi-color molds and improve the mold tryout efficiency.

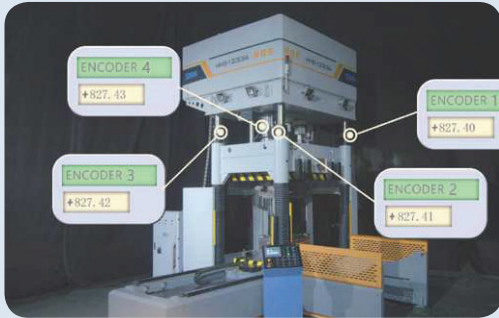


3 Siemens Control System

All SXKH Die spotting presses adopt Germany Siemens PLC control system.

- Remote assistance module.
- The operation of the die spotting press can be monitored by digital PLC computer.
- Real-time networking.
- Adopt 15-inch human machine interfaces (HMI).





4 Electronic Moving Base Parallelism Checking Function

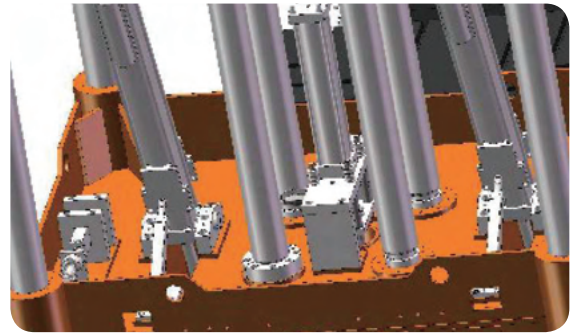
There are four encoders at each corners of the moving base. The PLC screen shows the state of these four encoders working continuously. This means the parallelism between two platens can be monitored continuously. During the mold protection function, when the difference is more than the set tolerance, the machine will stop immediately. In other words, this function protects the mold from damage, when the worker leaves the tool between cavity and core of mold.



5 Electro Permanent Magnetic Table

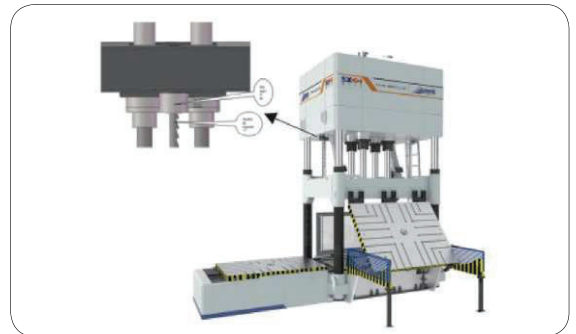
6 Wax Injection Testing Device

Optional wax injection device.



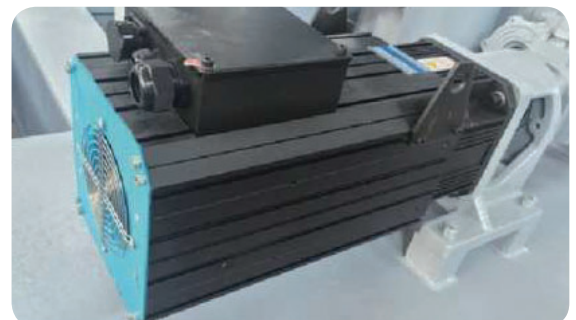
7 Pneumatic-mechanical Locks for Moving Base

Optional pneumatic safety lock ensures the middle base can be locked at any position when it moves up and down .



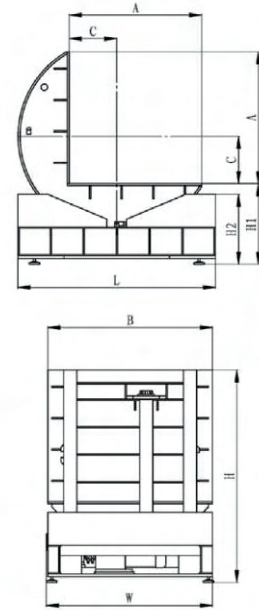
8 Hydraulic Servo System

All SXKH Die spotting presses adopt hydraulic servo system.



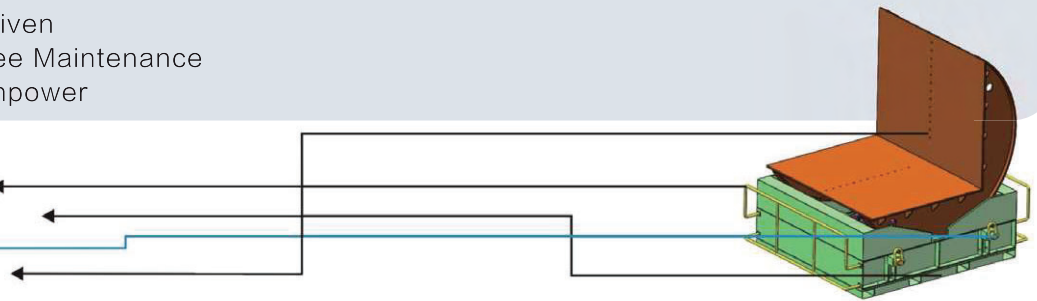


90° Mold Flipper



Electrical Motor Driven
Economical and free Maintenance
Save time and manpower

- Optional 1: Yellow Bar
- Optional 2: Forklift Groove
- Optional 3: Hook
- Optional 4: Tapped Hole



Model	FMG-5T	FMG-10T	FMG-15T	FMG-20T	FMG-30T	FMG-50T
Overturn Capacity(KN)	50	100	150	200	300	500
Table Height H1(mm)	580	680	780	930	950	1070
Table Size AxB (mm)	1200x1200	1400x1400	1700x1700	2000x2000	2000x2000	2500x2500
Motor Power (Kw)	1.5	3	4	5.5	11	18.5
Center Size C (mm)	450	500	640	750	750	900
Machine Dimension LWH (mm)	2130x1200x1780	2270x1400x2080	2620x1700x2480	3060x2000x2930	3150x2000x2950	4000x2500x3570
Machine Weight (KG)	1600	2800	4000	6300	8300	16000

Workflow





America

Europe

Asia







Ningbo Shunxingkaihao Machinery Co., Ltd.

Add: No.1 Gehechen, Donggangqi, Xiaogang Street, Beilun, Ningbo, China

Tel: +86 574 86191888

Mail: Sales@sunycal.com

Shanghai SXXH Automation Co., Ltd.

Add: Room 303, Building A, No 455 Yanzhan Road, Jiuting town, Songjiang District, Shanghai, China

Mail: Export@sunycal.com

SXXH Automation India Private Limited

Add: B-152A, Mayapuri Industrial Area, Phase 1, New Delhi-110064, India

Tel: 011-43738825

Mail: Pankaj@sxkhindia.com

SXXH (HONG KONG) INDUSTRY LIMITED

Add: New Territories, Hong Kong

Mail: Colincai@sunycal.com

SXXH EURO

Add: Friedrich-Ebert-Straße 9, 35764 Sinn, Germany

Mail: Lin@sunycal.com

SXXH MEXICO OFFICE

Add: Queretaro Mexico

Mail: ventasmexico@sxkhglobal.com

SXXH USA & CANADA

Dynamic International

Pewaukee, WI 53072, USA

Tel: (855) 952-6655

Email: layo@dynamicintl.com

