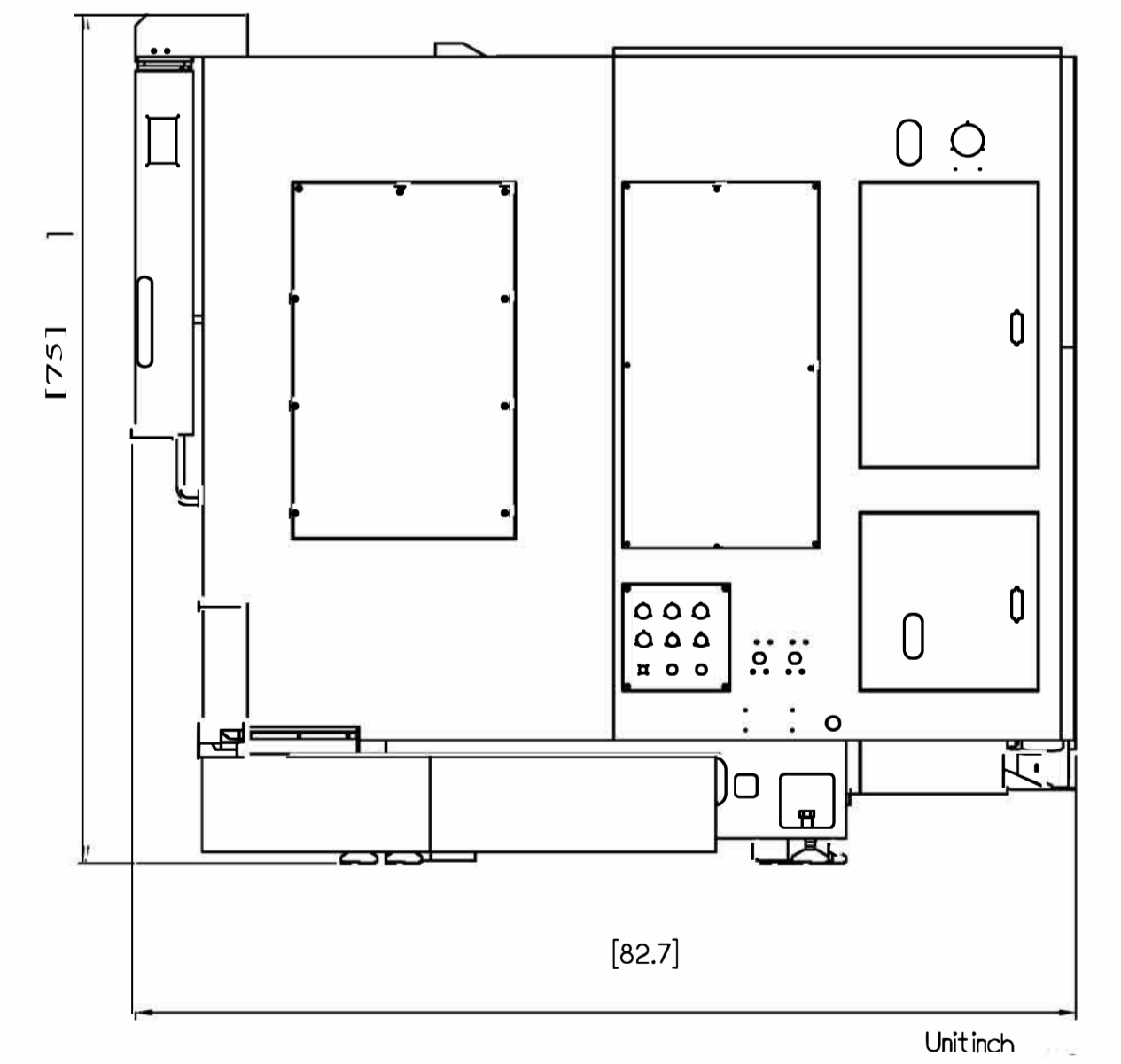
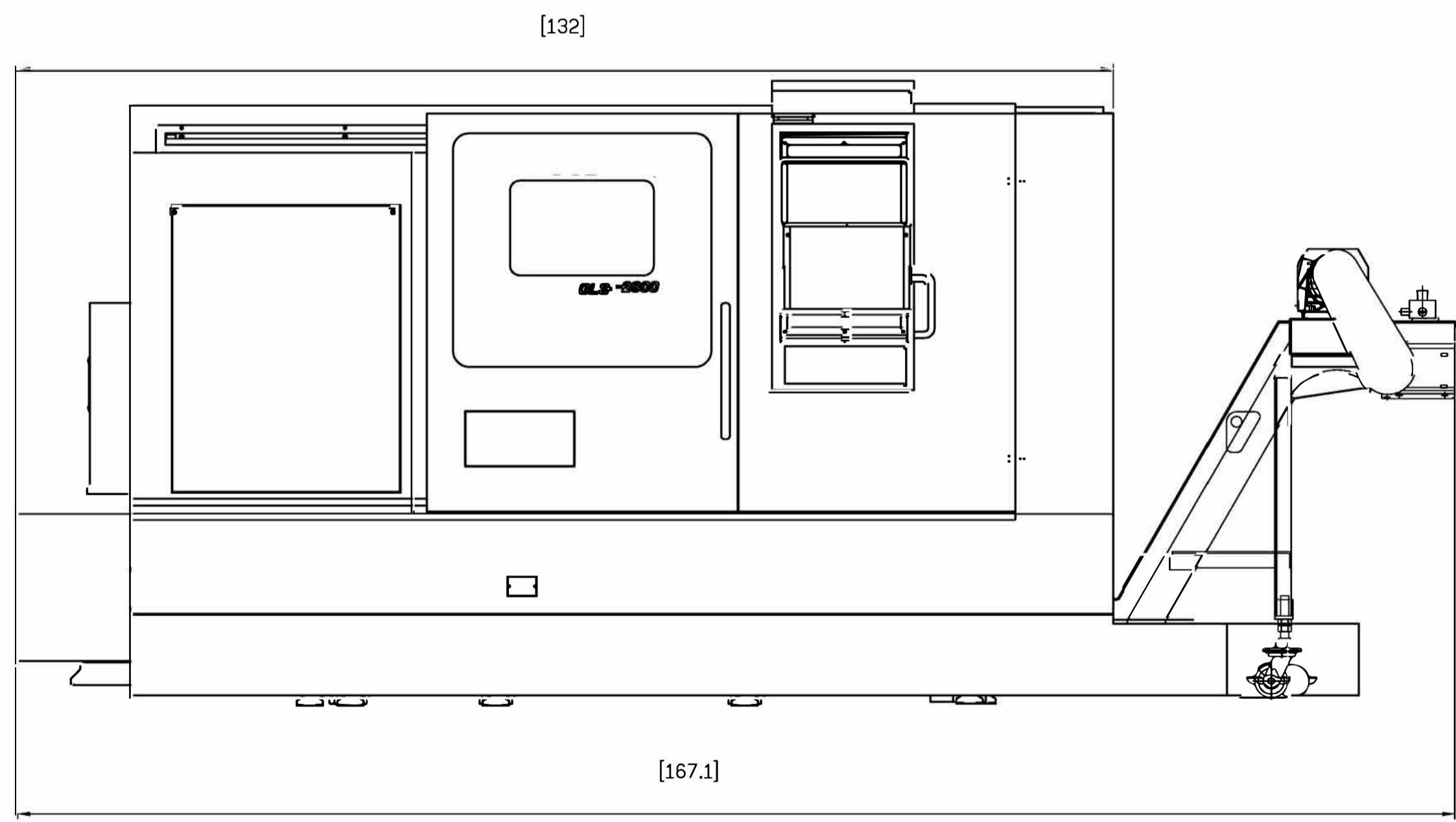
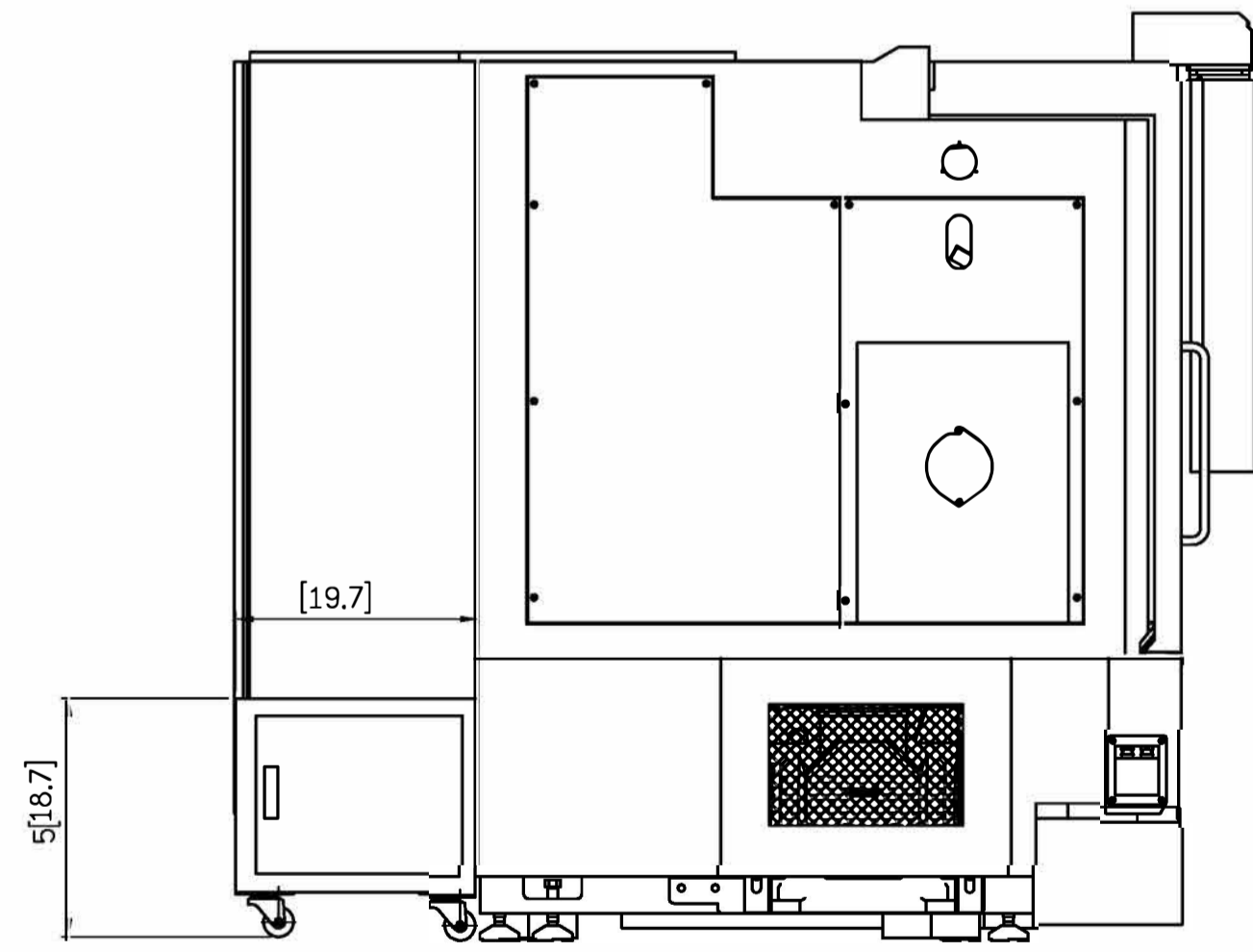
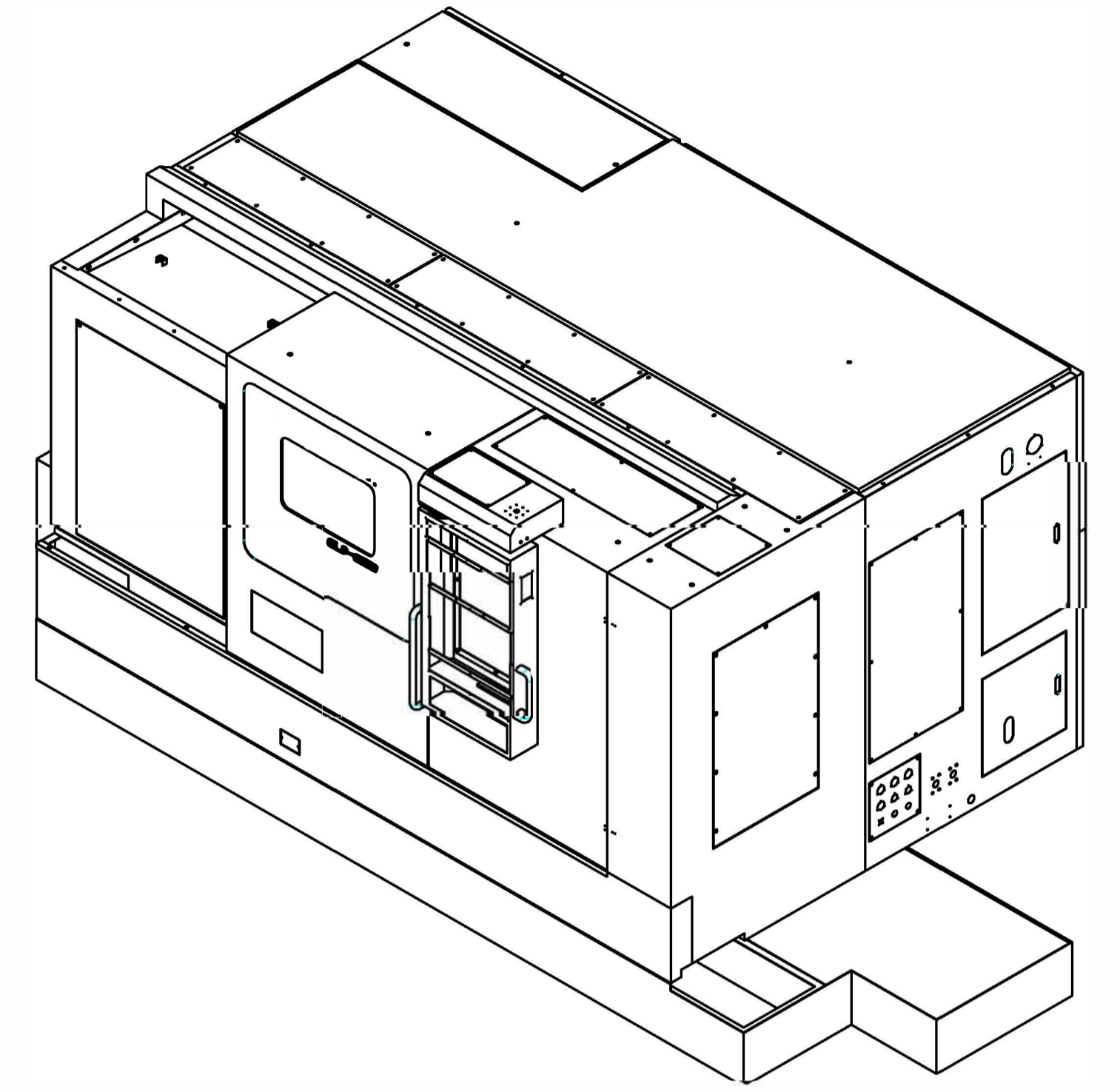
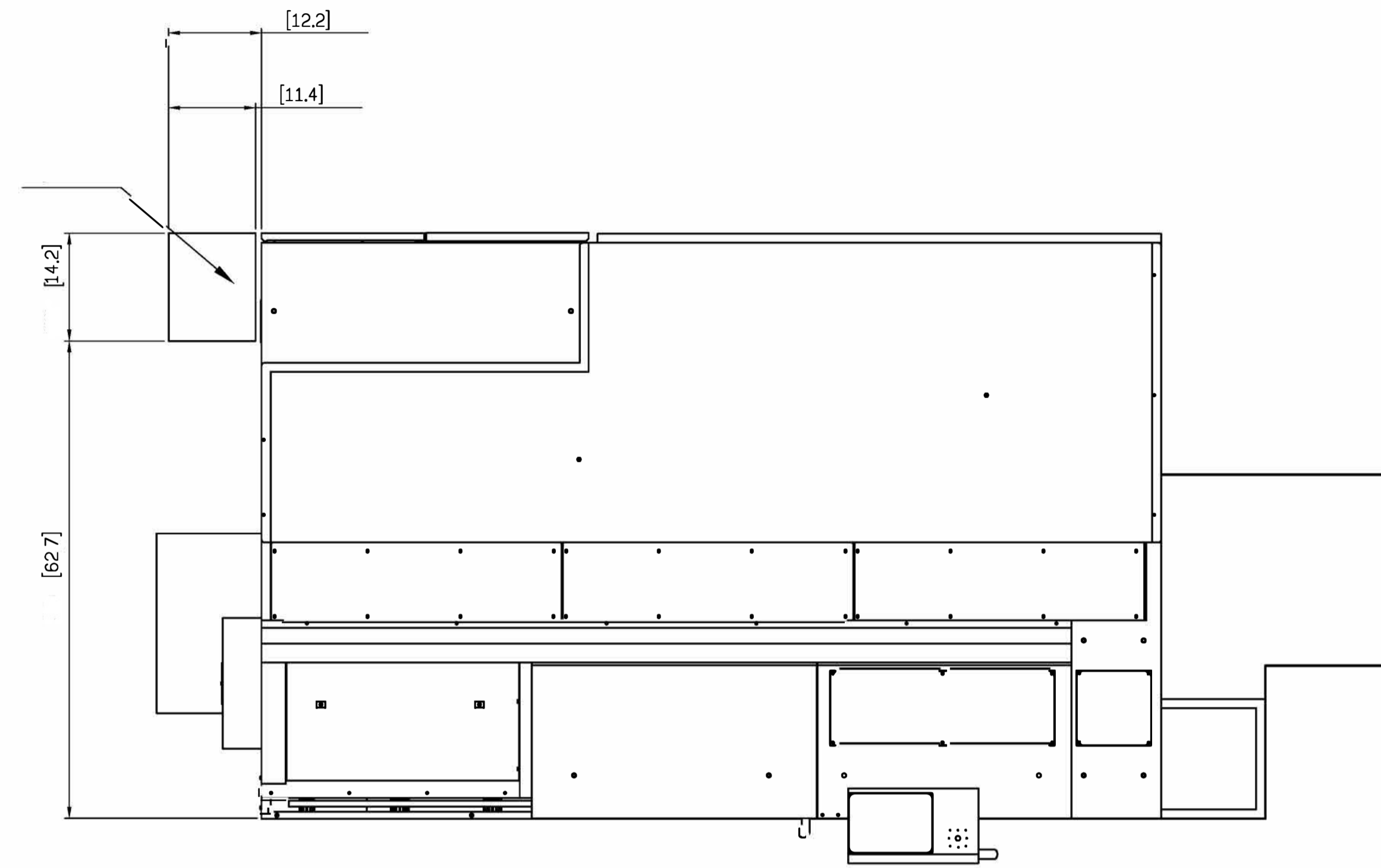
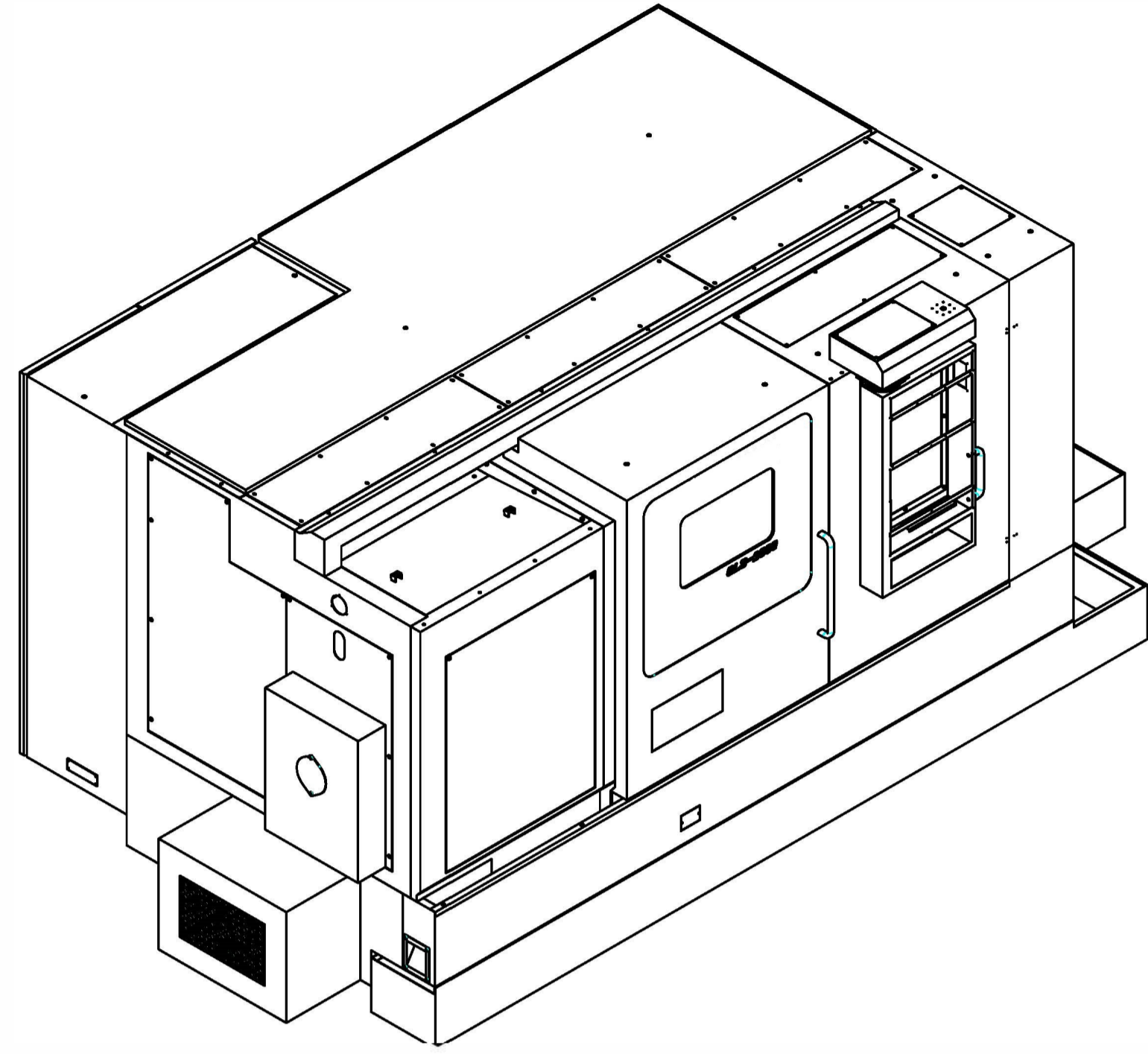


**SMART**  
MACHINE TOOL

**SL 30**

**Installation  
Packet**



### 3.2. Requirements of the foundation

The foundation has great effects on the accuracy of the machine, and machining accuracy by machine installation.

Therefore, a foundation site must be selected with full care.

Refer to Fig. 4-2 to make foundation.

\* Dimension should be according to the conditions of the ground.

\* Foundation strength: 23.3kPa over.

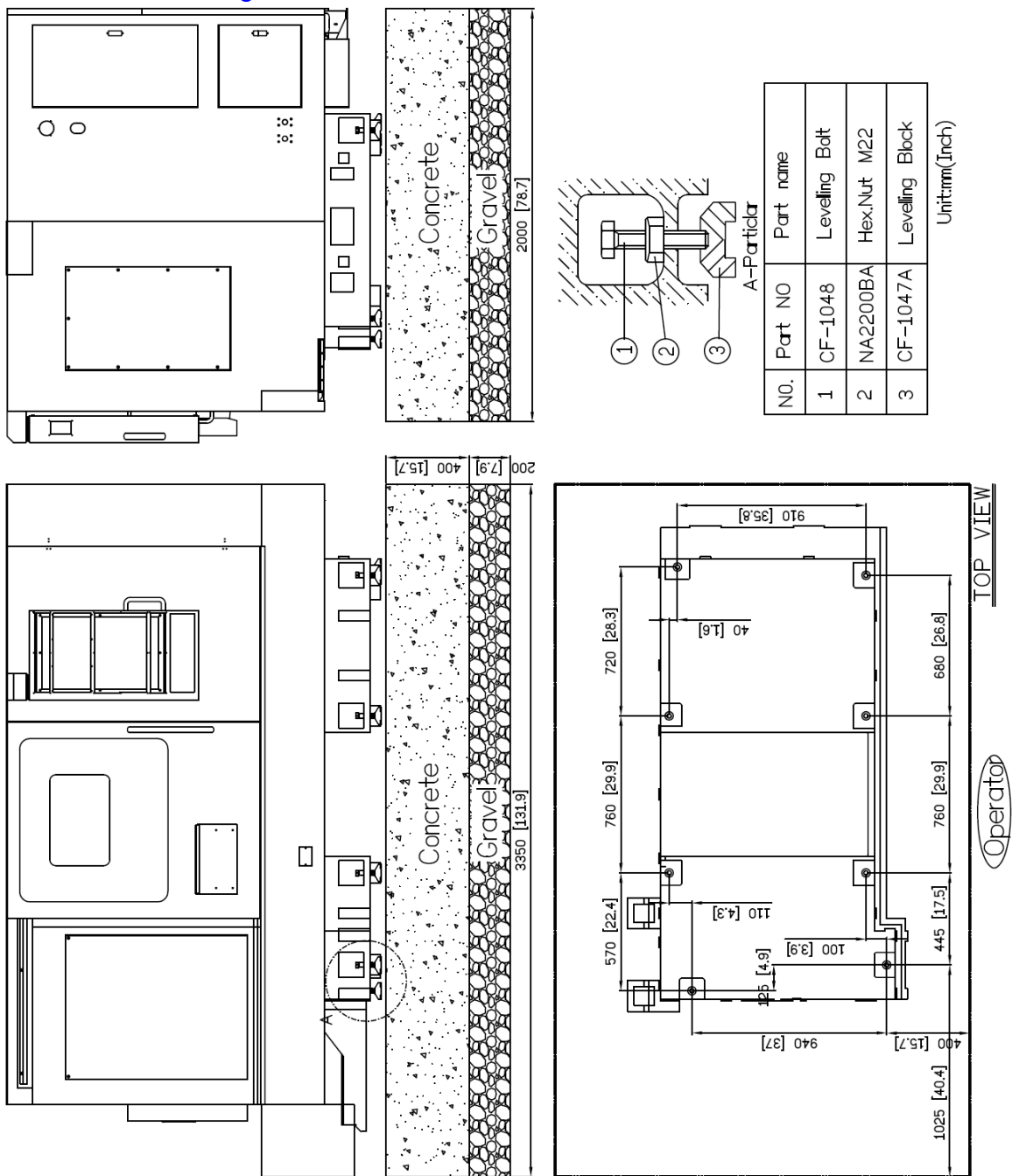


Fig. 3.2.1 Requirements of the foundation

Conestoga Trailers arranged by Walsh Logistics required for all machine shipments

Model	Description	ESTIMATED PACKING	
		(Size - FEET)	(Size - LBS)
SL 15	MACHINE	9'7 x 7'6 x 6'11	8,333
SL 20	MACHINE	9'7 x 7'6 x 6'11	8,333
SL 26	MACHINE	9'8 x 7'7 x 6'11	8,333
SL 15M	MACHINE	9'7 x 7'6 x 6'11	8,708
SL 26M	MACHINE	9'8 x 7'7 x 6'11	8,863
SL 15YS	MACHINE	11'11 x 7' x 7'8	8,598
SL 20YS	MACHINE	11'11 x 7'7 x 7'8	8,598
SL 200	MACHINE	13'11 x 7'5 x 6'9	11,023
SL 260(M)	MACHINE	16'5 x 7'5 x 7'4	11,023
SL 280(M)	MACHINE	14' x 7'7 x 6'10	13,029
SL 280L	MACHINE	16'5 x 7'5 x 7'4	13,228
SL30	MACHINE	17.5'x7.5'x7.1'	13,737
SL3300YS	MACHINE	18.2x7.5x8.3	7,200
SL3600LY	MACHINE		
SL 3500	MACHINE	17'3 x 7'7 x 8'	20,613
SL 4500	MACHINE	17'9 x 7'7 x 8'	21,980
SL4500L	MACHINE	21' x 7.5' x 8.4'	32,017
SL4500L	CONVEYOR	16'x7.5'x6'	2,028
SL 5500	MACHINE	23.2'x7.5'8.5'	41,887
SL 5500	CONVEYOR	19'x7.5'6.5'	8,818

6/21/2019 MACHINE MODEL	KVA	AMPS @ 220	Coolant	Slideways	Hyd. Unit	Transmi ssion	Chuck	Oil for Air	Air consumpti on
SL 15	20	52	31.7 gal	0.79 gal	3.7 gal	N/A	sw-10 lithium  . 2 OZ	N/A	N/A
SL 15M	20	52	31.7 gal	0.79 gal	3.7 gal	N/A		6 oz	5 CFM
SL15L	20	52	45 gal	0.79 gal	3.7 gal	N/A		N/A	N/A
SL 20	20	52	31.7 gal	0.79 gal	3.7 gal	N/A		N/A	N/A
SL20L	20	52	45 gal	0.79 gal	3.7 gal	N/A		N/A	N/A
SL 26	25	66	31.7 gal	0.79 gal	3.7 gal	N/A		N/A	N/A
SL 26M	25	66	31.7 gal	0.79 gal	3.7 gal	N/A		6 oz	5 CFM
SL 15YS	30	79	45 gal	0.79 gal	3.7 gal	N/A		6 oz	9 CFM
SL 20YS	30	79	45 gal	0.79 gal	3.7 gal	N/A		6 oz	9 CFM
SL 200	25	66	43 gal	0.79 gal	3.7 gal	N/A		N/A	N/A
SL 260	25	66	53 gal	0.79 gal	3.7 gal	N/A		N/A	N/A
SL 280	25	66	53 gal	0.79 gal	3.7 gal	N/A		N/A	N/A
SL 280L	25	66		0.79 gal	3.7 gal	N/A		N/A	N/A
SL 260M	40	105	53 gal	0.79 gal	3.7 gal	N/A		6 oz	5 CFM
SL 280M	40	105	53 gal	0.79 gal	3.7 gal	N/A		6 oz	5 CFM
SL30	35	92	81 gal	.79 gal	9.2 gal	N/A		N/A	N/A
SL3300YS	55	144	75 gal	0.79 gal	11.8 gal	N/A		6 oz	5 CFM
SL3600LY	50	131	95 gal	0.79 gal	11.8 gal	N/A		6 oz	5 CFM
SL 3500	60	157	153	0.79 gal	33 gal	5.2 gal		N/A	N/A
SL 4500	60	157	179	0.79 gal	33 gal	5.2 gal	N/A	N/A	
SL 5500	75	197	206	0.79 gal	33 gal	5.2 gal	N/A	N/A	
				Shell Oil T68	Mobil DTE 24	Mobil Oil Light ISO VG 32	grease daily	DTE Light	75-90 PSI
				check daily	check daily	check daily		check daily	