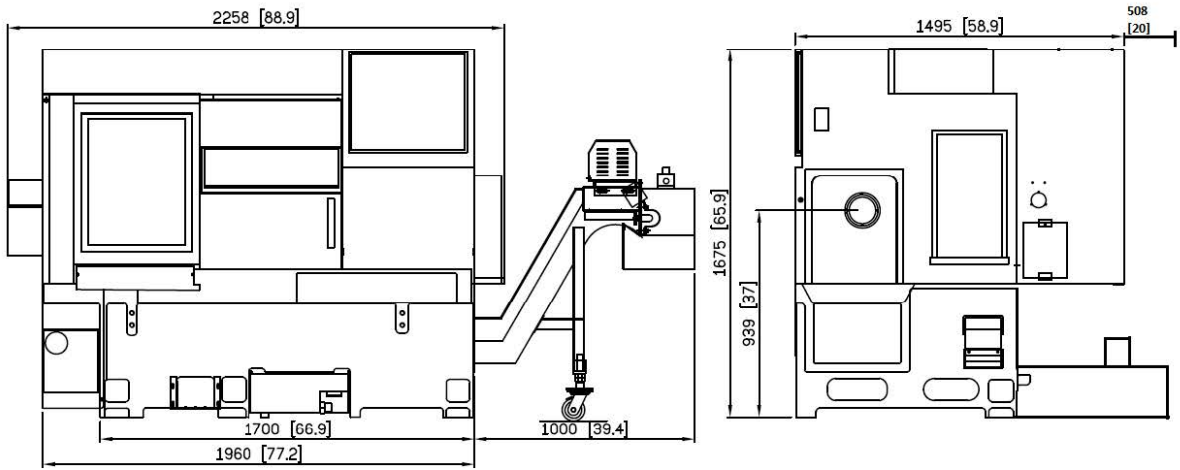


SMART
MACHINE TOOL

SL 26

**Installation
Packet**

SL15/20/26(M)



3.2. Requirements of the foundation

The foundation has great effects on the accuracy of the machine, and machining accuracy by machine installation.

Therefore, a foundation site must be selected with full care.

Refer to Fig. 4-2 to make foundation.

* Dimension should be according to the conditions of the ground.

* Foundation strength: 28.8 KPa over for
32.5 KPa over for Series

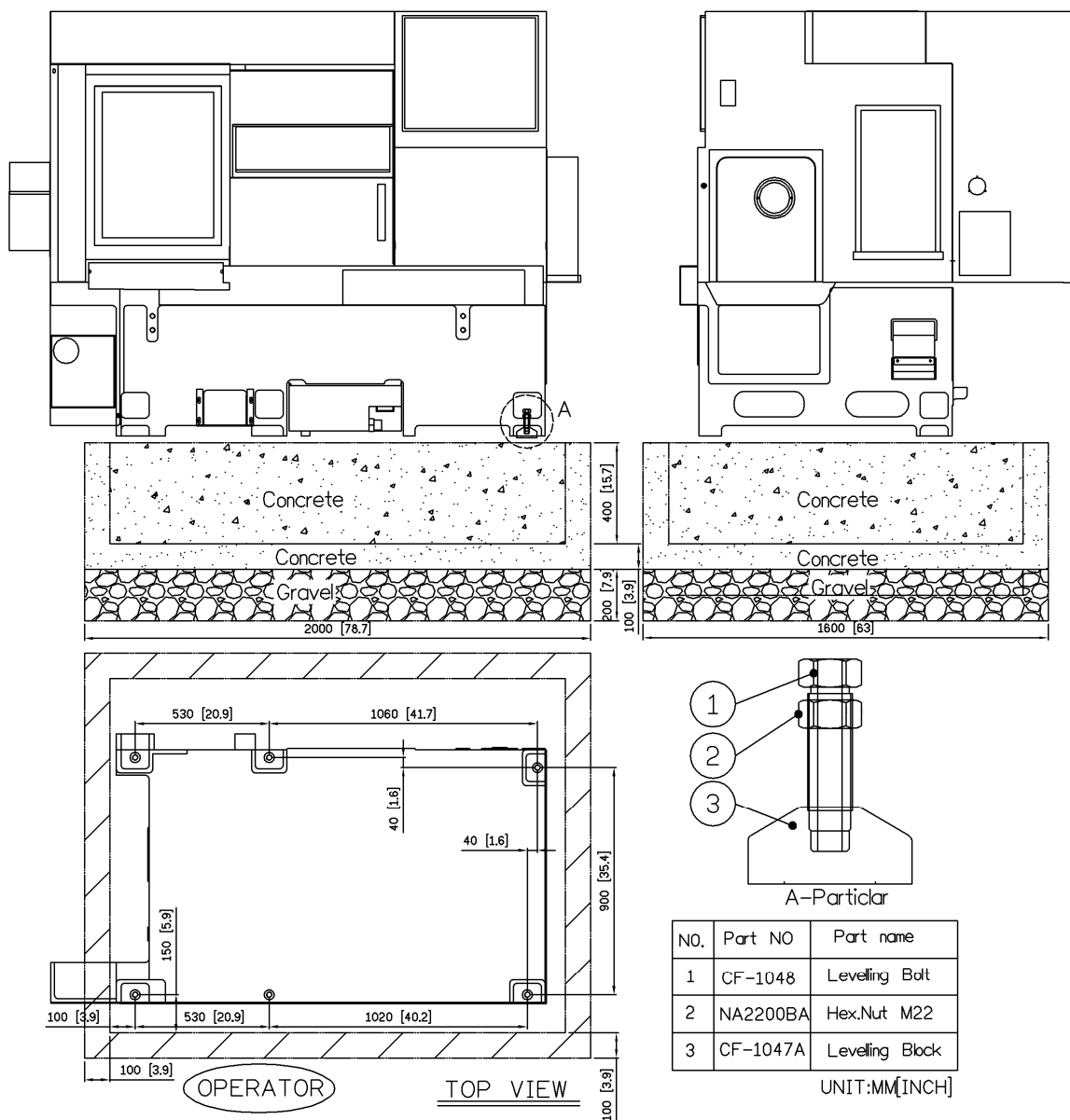


Fig. 3.2.1

Conestoga Trailers arranged by Walsh Logistics required for all machine shipments

Model	Description	ESTIMATED PACKING	
		(Size - FEET)	(Size - LBS)
SL 15	MACHINE	9'7 x 7'6 x 6'11	8,333
SL 20	MACHINE	9'7 x 7'6 x 6'11	8,333
SL 26	MACHINE	9'8 x 7'7 x 6'11	8,333
SL 15M	MACHINE	9'7 x 7'6 x 6'11	8,708
SL 26M	MACHINE	9'8 x 7'7 x 6'11	8,863
SL 15YS	MACHINE	11'11 x 7' x 7'8	8,598
SL 20YS	MACHINE	11'11 x 7'7 x 7'8	8,598
SL 280LYS			
SL 200	MACHINE	13'11 x 7'5 x 6'9	11,023
SL 260(M)	MACHINE	16'5 x 7'5 x 7'4	11,023
SL 280(M)	MACHINE	14' x 7'7 x 6'10	13,029
SL 280L	MACHINE	16'5 x 7'5 x 7'4	13,228
SL 3500	MACHINE	17'3 x 7'7 x 8'	20,613
SL 4500	MACHINE	17'9 x 7'7 x 8'	21,980
SL 5500			

10/1/2018 MACHINE MODEL	KVA	AMPS @ 220	Coolant	Slideways	Hyd. Unit	Transmissio	Chuck	Oil for Air
SL 15	20	52	31.7 gal	0.79 gal	3.7 gal	N/A	sw-10 lithium grease daily	N/A
SL 15M	20	52	31.7 gal	0.79 gal	3.7 gal	N/A		6 oz
SL 20	20	52	31.7 gal	0.79 gal	3.7 gal	N/A		N/A
SL 26	25	66	31.7 gal	0.79 gal	3.7 gal	N/A		N/A
SL 26M	25	66	31.7 gal	0.79 gal	3.7 gal	N/A		6 oz
SL 15YS	30	79	45 gal	0.79 gal	3.7 gal	N/A		6 oz
SL 20YS	30	79	45 gal	0.79 gal	3.7 gal	N/A		6 oz
SL 200	25	66	53 gal	0.79 gal	3.7 gal	N/A		N/A
SL 260	25	66	53 gal	0.79 gal	3.7 gal	N/A		N/A
SL 280	25	66	53 gal	0.79 gal	3.7 gal	N/A		N/A
SL 280L	25	66		0.79 gal	3.7 gal	N/A		N/A
SL 260M	40	105	53 gal	0.79 gal	3.7 gal	N/A		6 oz
SL 280M	40	105	53 gal	0.79 gal	3.7 gal	N/A		6 oz
SL 3500	60	157	153	0.79 gal	33 gal	5.2 gal		N/A
SL 4500	60	157	179	0.79 gal	33 gal	5.2 gal		N/A
SL 5500	75	197	206	0.79 gal	33 gal	5.2 gal	N/A	
				Shell Oil T68	Mobil DTE	Mobil Oil Lig	grease	DTE Light
				Mobil Vactra#2	24	ISO VG 32	daily	check daily
				check daily	check daily	check daily		

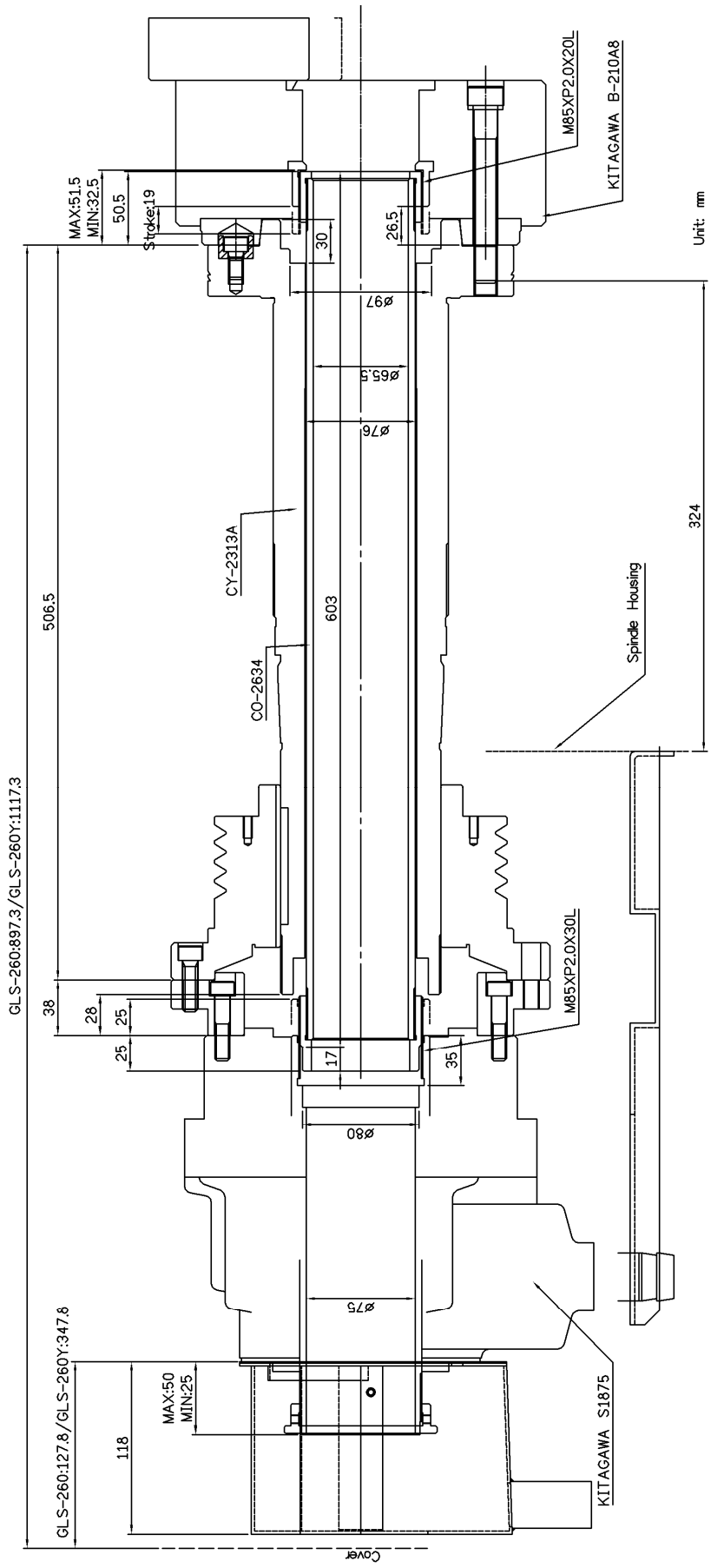


Fig. 2.6.7 GLS-2600