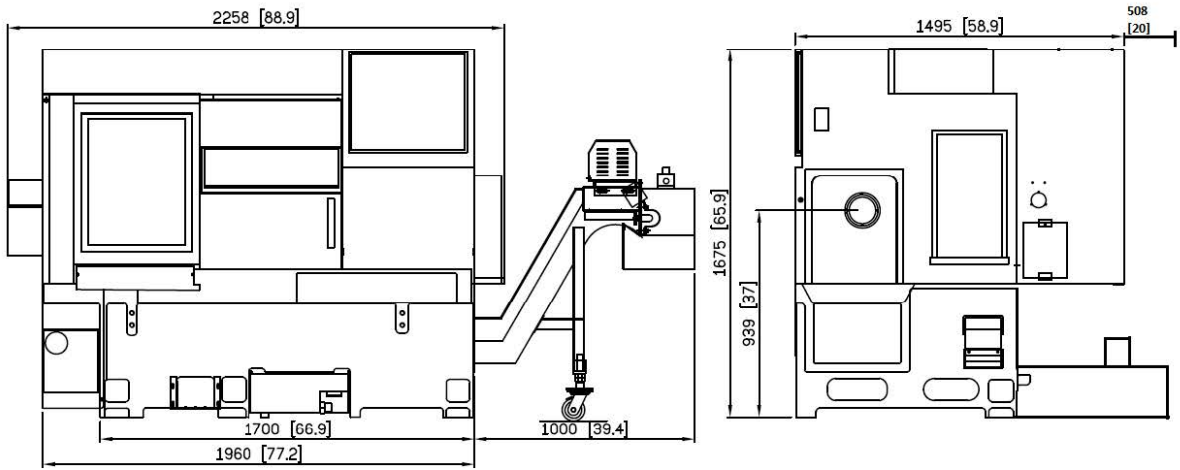


SMART
MACHINE TOOL

SL 15

**Installation
Packet**

SL15/20/26(M)



3.2. Requirements of the foundation

The foundation has great effects on the accuracy of the machine, and machining accuracy by machine installation.

Therefore, a foundation site must be selected with full care.

Refer to Fig. 4-2 to make foundation.

* Dimension should be according to the conditions of the ground.

* Foundation strength: 28.8 KPa over for
32.5 KPa over for , Series

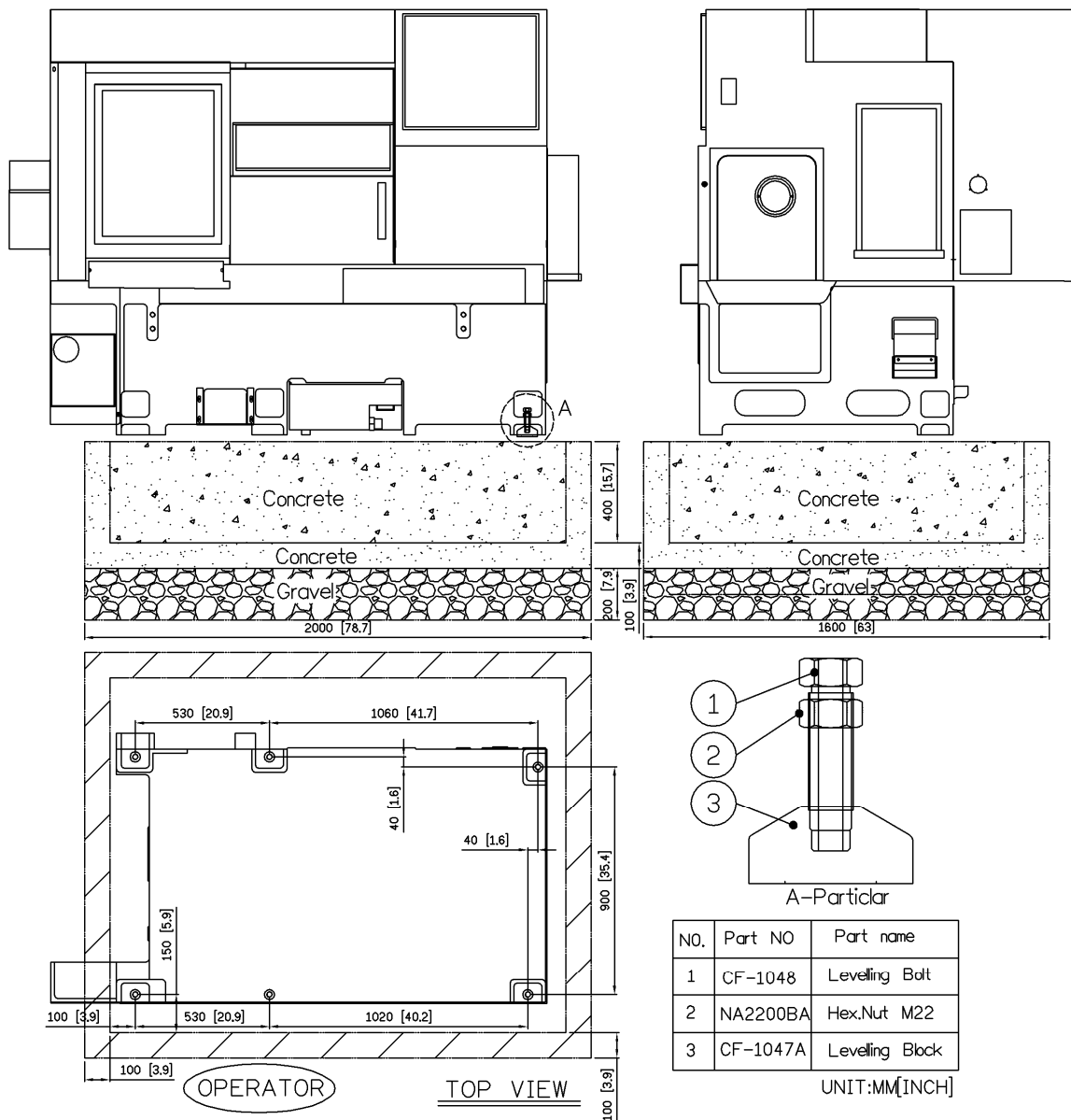


Fig. 3.2.1

Conestoga Trailers arranged by Walsh Logistics required for all machine shipments

Model	Description	ESTIMATED PACKING	
		(Size - FEET)	(Size - LBS)
SL 15	MACHINE	9'7 x 7'6 x 6'11	8,333
SL 20	MACHINE	9'7 x 7'6 x 6'11	8,333
SL 26	MACHINE	9'8 x 7'7 x 6'11	8,333
SL 15M	MACHINE	9'7 x 7'6 x 6'11	8,708
SL 26M	MACHINE	9'8 x 7'7 x 6'11	8,863
SL 15YS	MACHINE	11'11 x 7' x 7'8	8,598
SL 20YS	MACHINE	11'11 x 7'7 x 7'8	8,598
SL 280LYS			
SL 200	MACHINE	13'11 x 7'5 x 6'9	11,023
SL 260(M)	MACHINE	16'5 x 7'5 x 7'4	11,023
SL 280(M)	MACHINE	14' x 7'7 x 6'10	13,029
SL 280L	MACHINE	16'5 x 7'5 x 7'4	13,228
SL 3500	MACHINE	17'3 x 7'7 x 8'	20,613
SL 4500	MACHINE	17'9 x 7'7 x 8'	21,980
SL4500L	MACHINE	21' x 7.5' x 8.4'	32,017
SL4500L	CONVEYOR	16'x7.5'x6'	2,028
SL 5500	MACHINE	23.2'x7.5'8.5'	41,887
SL 5500	CONVEYOR	19'x7.5'6.5'	8,818

10/1/2018 MACHINE MODEL	KVA	AMPS @ 220	Coolant	Slideways	Hyd. Unit	Transmissio	Chuck	Oil for Air
SL 15	20	52	31.7 gal	0.79 gal	3.7 gal	N/A	sw-10 lithium .2 OZ	N/A
SL 15M	20	52	31.7 gal	0.79 gal	3.7 gal	N/A		6 oz
SL 20	20	52	31.7 gal	0.79 gal	3.7 gal	N/A		N/A
SL 26	25	66	31.7 gal	0.79 gal	3.7 gal	N/A		N/A
SL 26M	25	66	31.7 gal	0.79 gal	3.7 gal	N/A		6 oz
SL 15YS	30	79	45 gal	0.79 gal	3.7 gal	N/A		6 oz
SL 20YS	30	79	45 gal	0.79 gal	3.7 gal	N/A		6 oz
SL 200	25	66	53 gal	0.79 gal	3.7 gal	N/A		N/A
SL 260	25	66	53 gal	0.79 gal	3.7 gal	N/A		N/A
SL 280	25	66	53 gal	0.79 gal	3.7 gal	N/A		N/A
SL 280L	25	66		0.79 gal	3.7 gal	N/A		N/A
SL 260M	40	105	53 gal	0.79 gal	3.7 gal	N/A		6 oz
SL 280M	40	105	53 gal	0.79 gal	3.7 gal	N/A		6 oz
SL 3500	60	157	153	0.79 gal	33 gal	5.2 gal		N/A
SL 4500	60	157	179	0.79 gal	33 gal	5.2 gal	N/A	
SL 5500	75	197	206	0.79 gal	33 gal	5.2 gal	N/A	
				Shell Oil T68	Mobil DTE	Mobil Oil Lig	grease daily	DTE Light
				Mobil Vactra#2	24	ISO VG 32		check daily
				check daily	check daily	check daily		

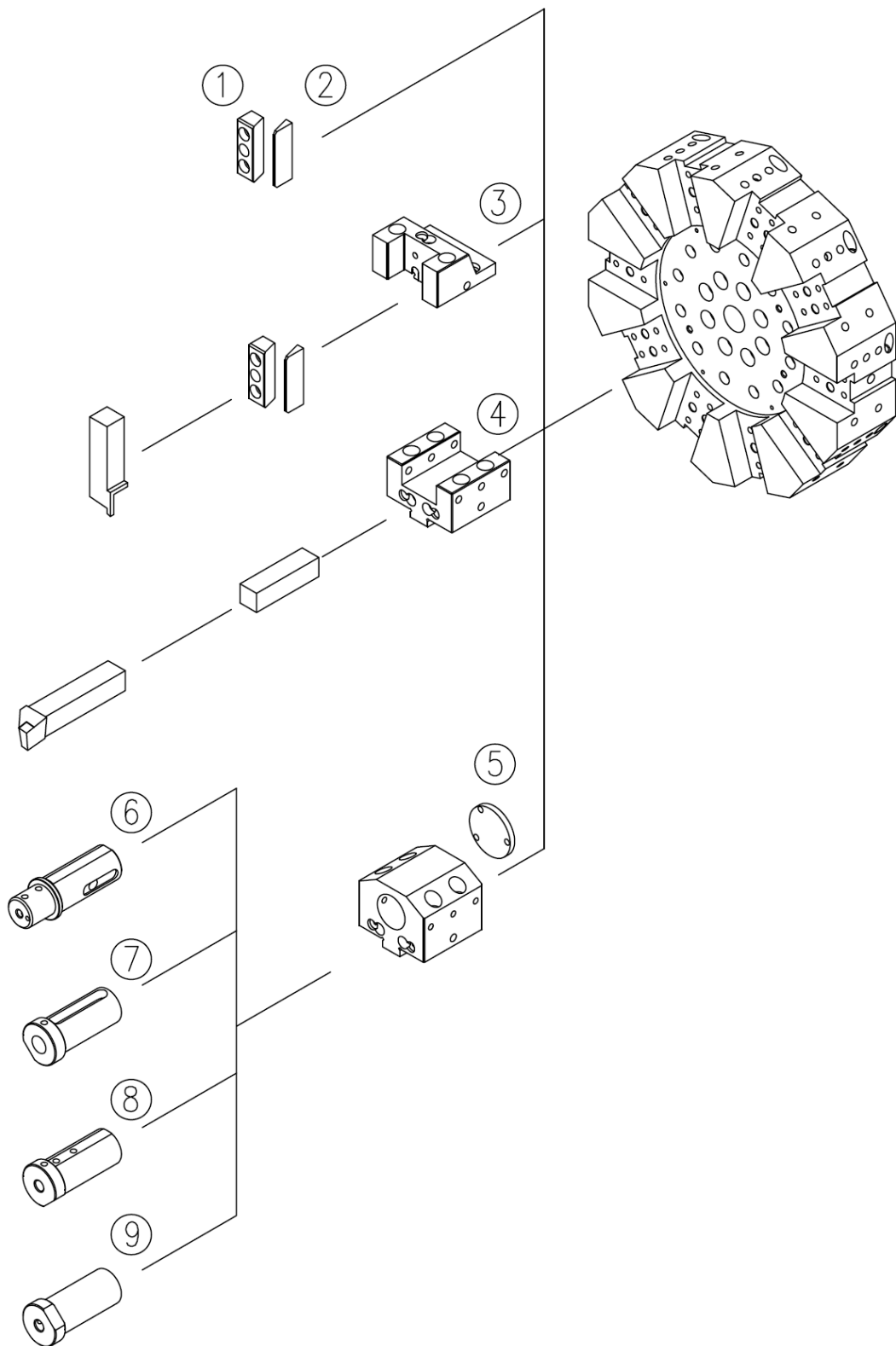


Fig 2.7.1.3 Tooling system

*The information of tooling system please refer to Ch. 7.1.2

*For 360mm width turret head only.

*12 st. turret part no. is CY-3804 or CY-38A4.

*10 st. turret part no. is CY-3904 or CY-39A4.

No.	Part Name	Metric Part No.	Size (mm)	British Part No.	Size (inch)	10st. Qty	12st. Qty
1	Clamp piece	CV-3045		CV-3045		5	6
2	Clamp piece	CV-3046		CV-3046		5	6
3	Cut-off tool holder	CY-3808	□25	CY-38A8	□1	1	1
4	Face Cutting Tool Holder	CY-3807	□25	CY-38A7	□1	1	1
5	Boring Bar Holder / Throw-away Drill Holder	CY-3806	φ 40	CY-38A6	φ 1.5	5	6
6	Boring Bar Sleeve	CJ-3016S	φ 8	CJ-3112D	φ 0.25	1	1
		CJ-3016R	φ 10	CJ-3112C	φ 0.375	1	1
7	Boring Bar Sleeve	CJ-3016A	φ 12	CJ-3112A	φ 0.5	1	1
		CJ-3016B	φ 16	CJ-3112B	φ 0.625	1	1
		CJ-3014A	φ 20	CJ-3110A	φ 0.75	1	1
		CJ-3014B	φ 25	CJ-3110B	φ 1	1	1
		CJ-3014C	φ 32	CJ-3110C	φ 1.25	1	1
8	Throw-away Drill Socket	CV-3203A	φ 16	CV-3204A	1	1	1
		CV-3203B	φ 20	CV-3204B	1.25	1	1
		CV-3203C	φ 25	--	--	1	1
		CV-3203D	φ 32	--	--	1	1
9	Boring Bar Sleeve	CJ-3010	MT2	CJ-3107	MT2	1	1
		CJ-3011	MT3	CJ-3113	MT3	1	1

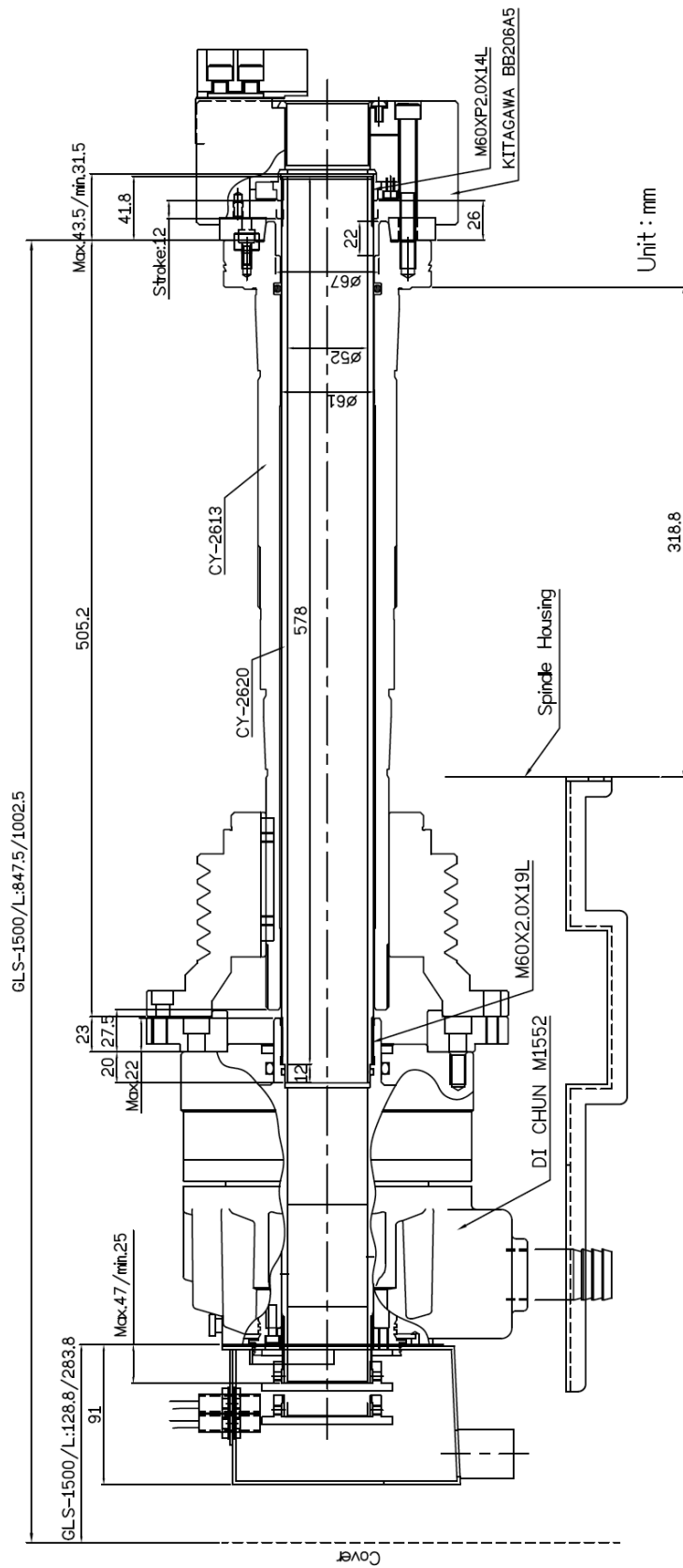


Fig. 2.6.8 ϕ 52 Spindle (GLS-1500)