

SMART
MACHINE TOOL

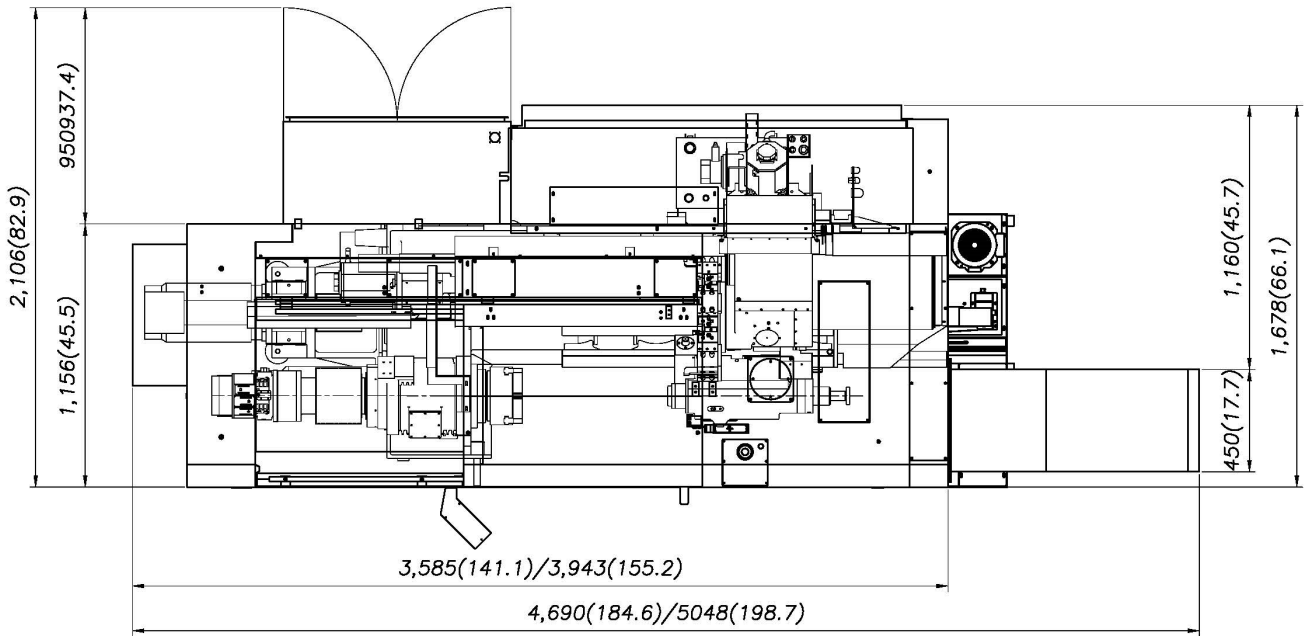
NL 3000

**Installation
Packet**

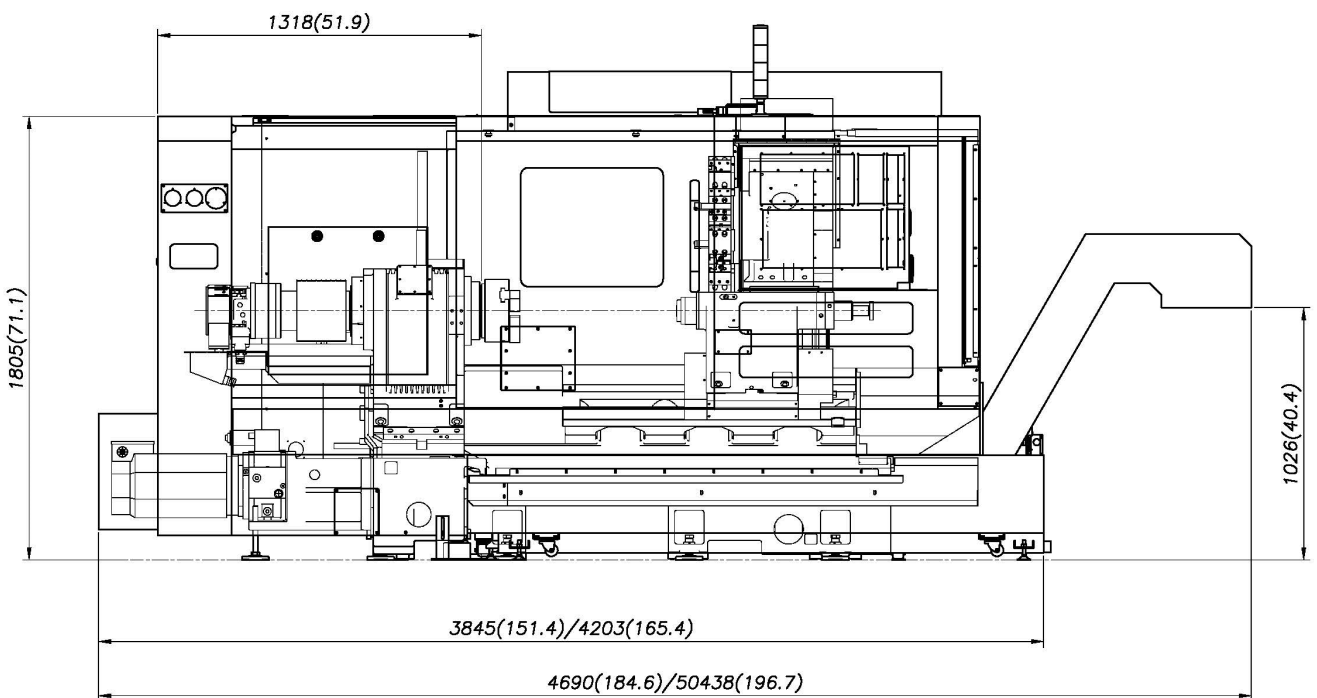
3. Dimensional drawings

1. Top view _ NL2500(M),3000(M) / 3000L(M)

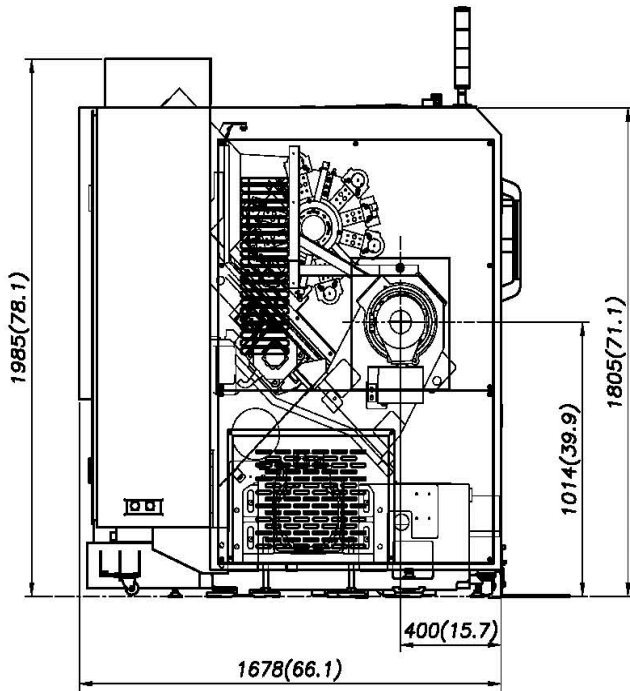
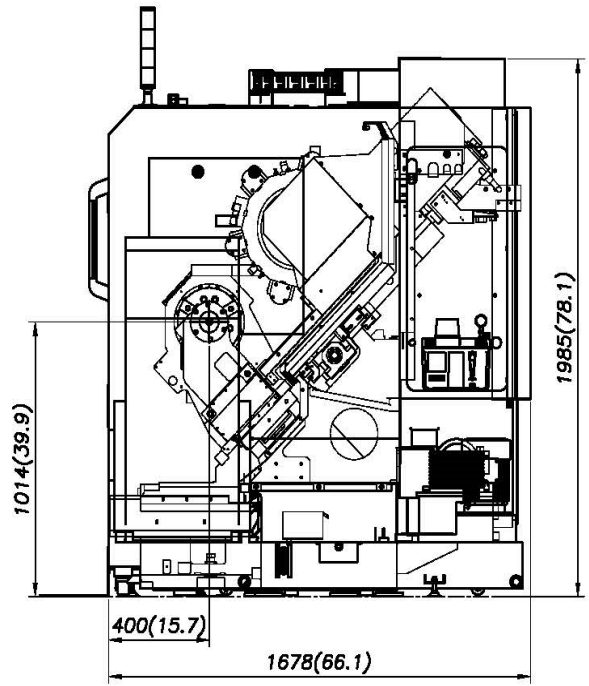
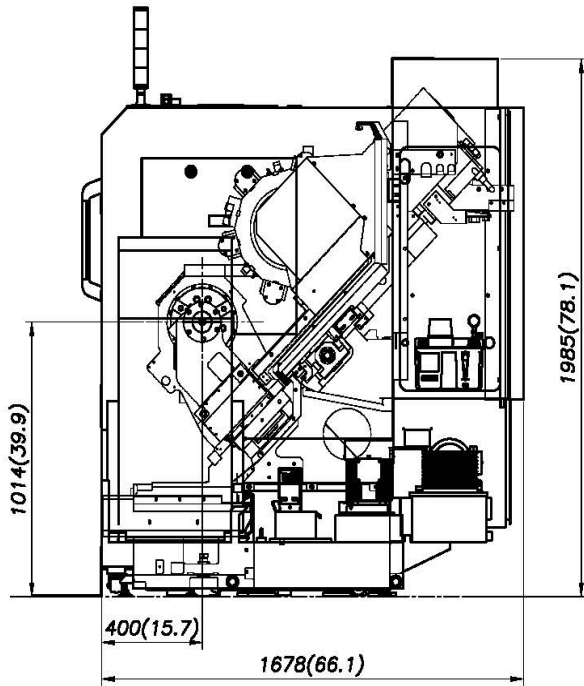
Unit : mm[inch]



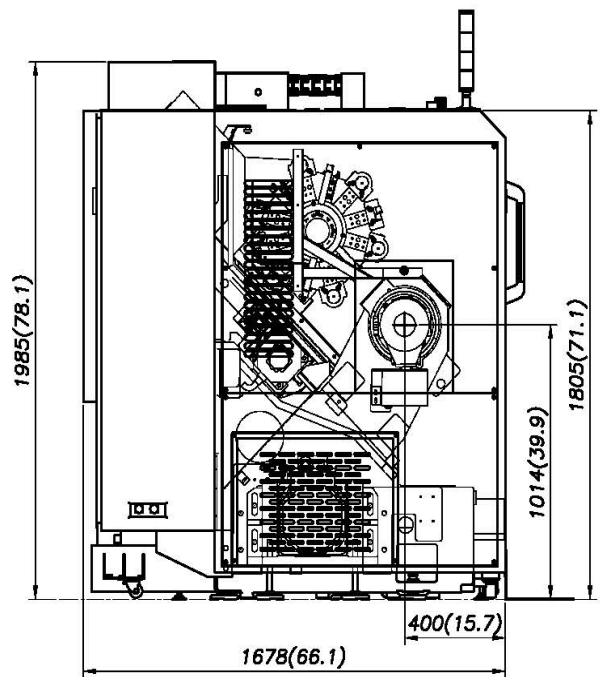
2. Front view _ NL2500(M),3000(M)/ 3000L(M)



3 . Side view_ NL2500(M),3000(M),3000L(M)

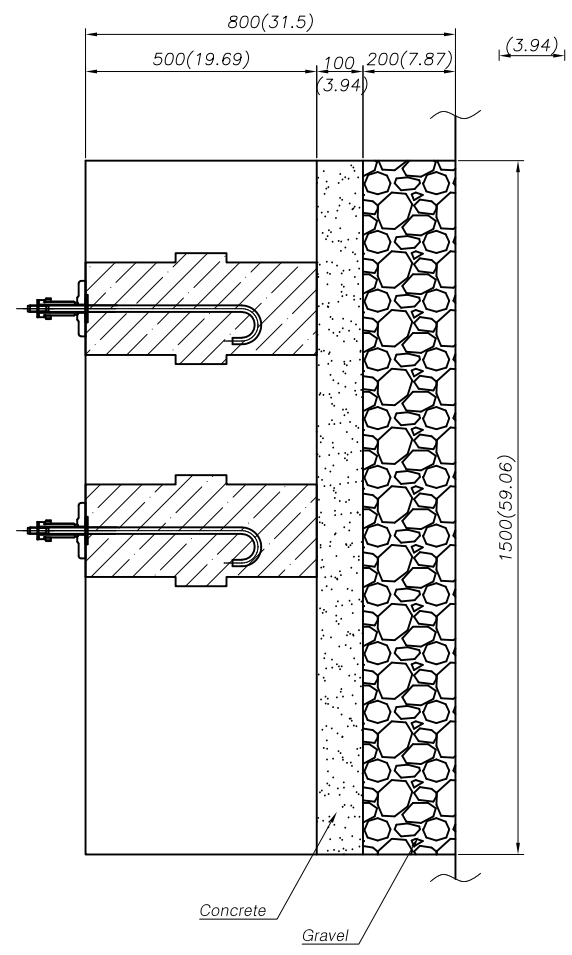
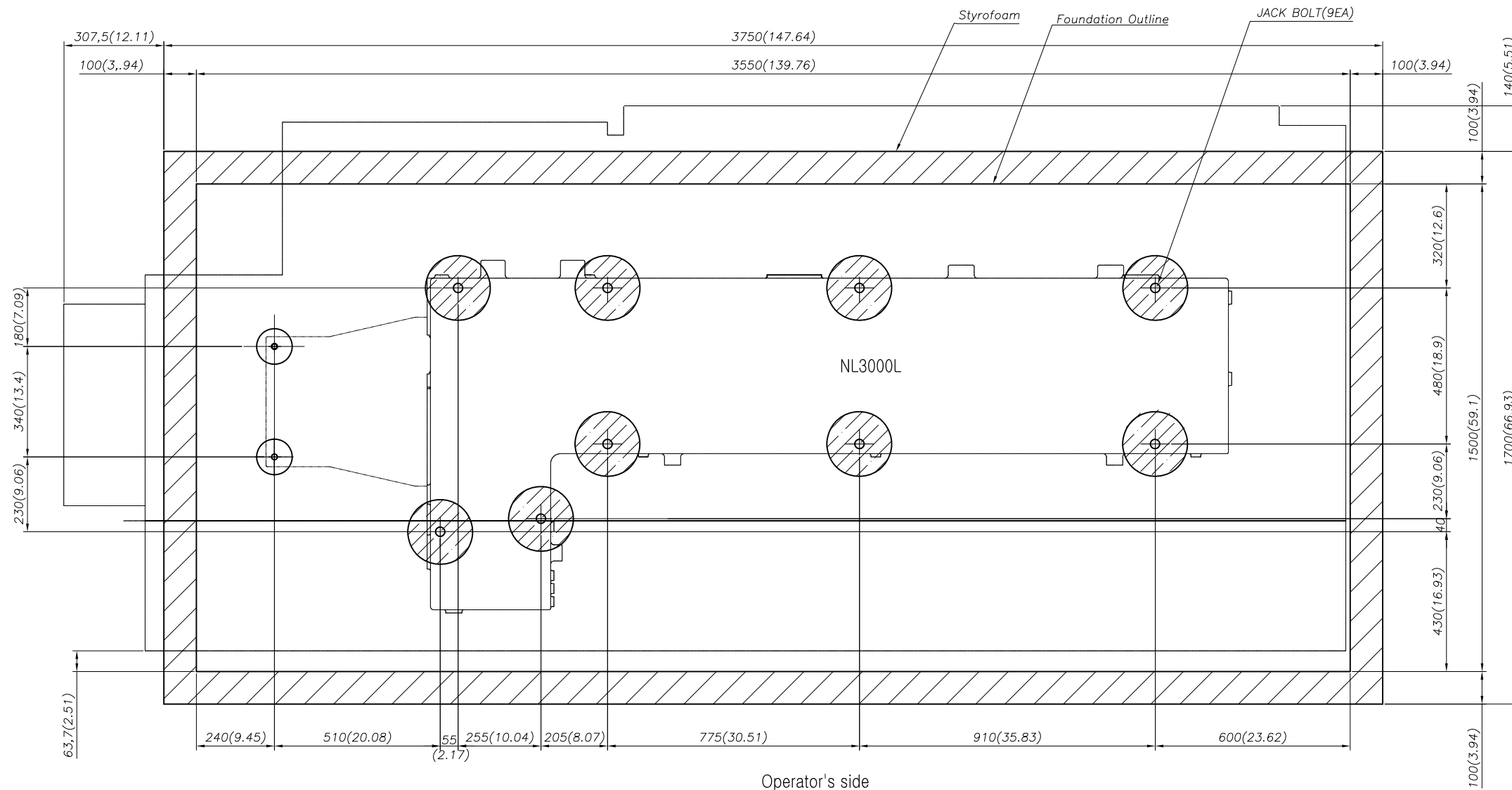


NL2500



NL3000

00VZ000003EN



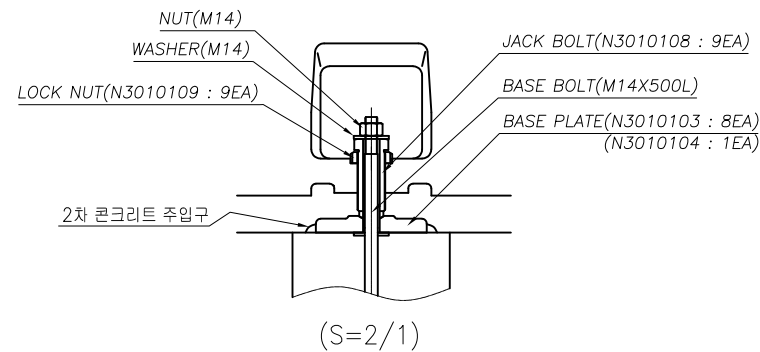
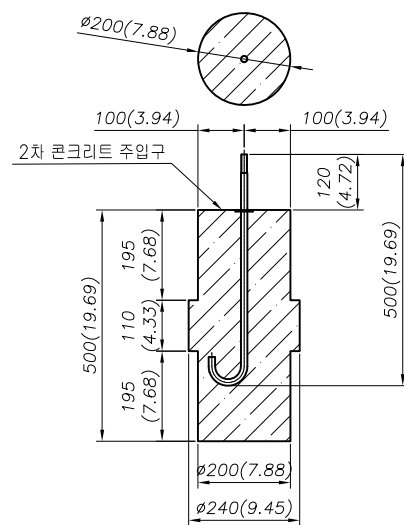
Note1) This drawing shows the standard foundation.
Modify the concrete thickness according
ground condition.

Before the first concrete is completely dry,
chamfer the area facing the outside of the
machine by approximately 100 mm.

Concrete strength (28 days after placing
concrete) should be 20.6 Mpa(2986.2 psi)
or more.

Note2) Because 100 mm(3.94 inch) of styrofoam must
Adhere to the inside surface of ditch, dig the
foundation 100 mm(3.94 inch) outside of the
outline of the foundation.

Note3) Unit : mm(inch)



APP' D		GENERAL TOLERANCE MACHINING	HEAT TREATMENT	SMTK
REV' D		0.5- 6 ± 0.1		UNIT ASS'Y
		6- 30 ± 0.2		NL3000L LAY-OUT
		30- 120 ± 0.3		NAME
		120- 315 ± 0.5	MATERIAL	FOUNDATION ASS'Y
		315-1000 ± 0.8	Q' TY	1/EA
		1000-2000 ± 1.2	PLATING	SCALE
		UNLESS OTHERWISE SPECIFIED CHAMF. & CONNER CO. 3, RO. 8	SCALE	1/8
				N 3000007A00
MARK	REVISION	DATE	REV' D	CHE' D

4/24/2018 MACHINE MODEL	KVA	AMPS @ 220	Coolant	Slideways	Hyd. Unit	Transmission	Chuck
NL2000(M)	31	82	48	.79 gal	5.3 gal	n/a	.2 oz daily
NL2500(M)	40	105	53	.79 gal	5.3 gal	0.75	.2 oz daily
NL3000(M)	40	105	63	.79 gal	5.3 gal	0.75	.2 oz daily
NL4000(M)	55	144	63	.79 gal	6.4 gal	0.75	.2 oz daily
NL5000(M)	55	144	63	.79 gal	6.4 gal	0.75	.2 oz daily
NL5000L(M)	65	170	130	.79 gal	6.4 gal	0.75	.2 oz daily
NL6000(M)	65	170	105	.79 gal	15 gal	0.75	.2 oz daily
NL6000L(M)	65	170	150	.79 gal	15 gal	0.75	.2 oz daily
NL7000L(M)	65	170	150	.79 gal	15 gal	2 gal	.2 oz daily
NL7000XL(M)	65	170	180	.79 gal	15 gal	2 gal	.2 oz daily
				Shell Oil T68	Mobil DTE 24	Mobil Oil Light	grease daily
				Mobil Vactra#2		ISO VG 32	
				check daily	check daily	check daily	

Conestoga Trailers arranged by Walsh Logistics required for all machine shipments

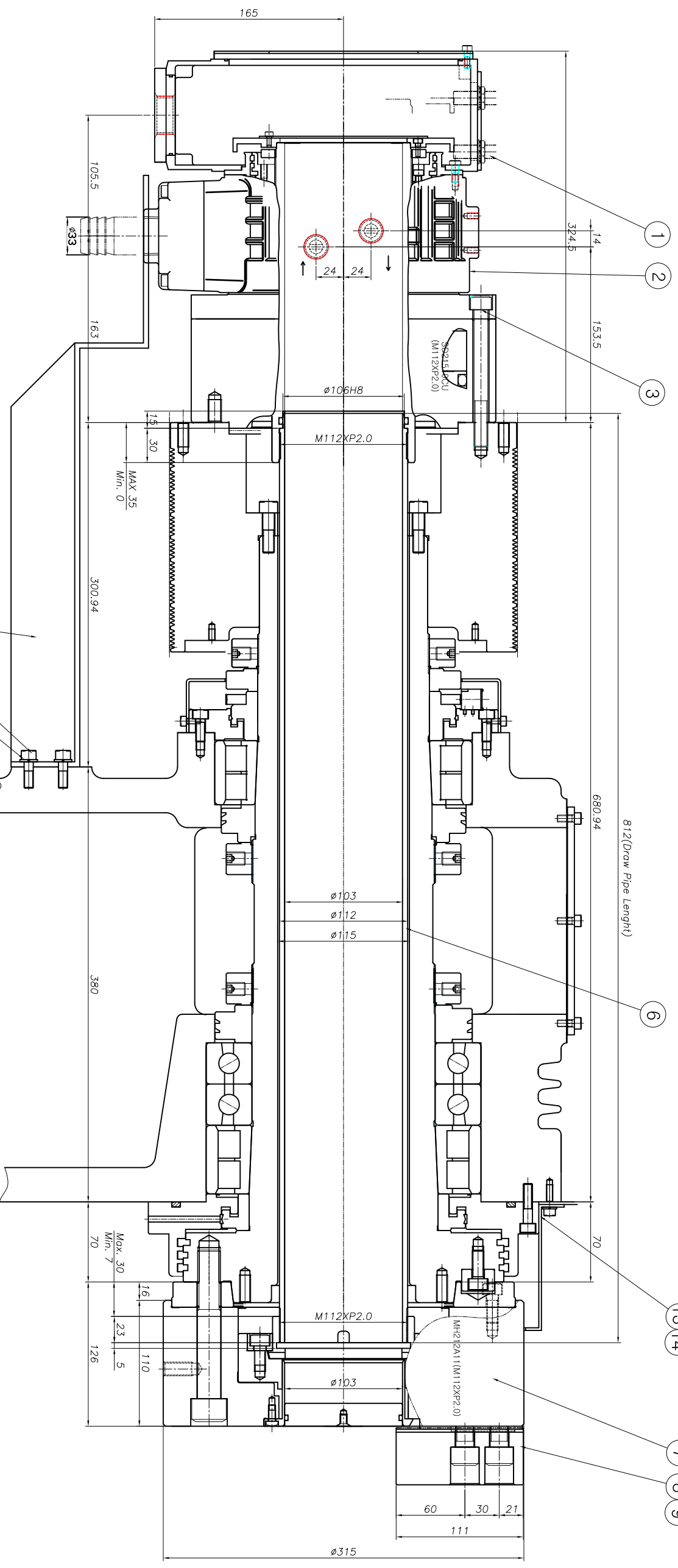
Model	Description	ESTIMATED PACKING	
		(Size - FEET)	(Size - LBS)
NL2000(M)	MACHINE	13x7.5x7.5	10,500
NL2500(M)	MACHINE	14.5x7.5x7	13,900
NL2500(M)	CHIP CONVEYOR	12.5x3x5	850
NL3000(M)	MACHINE	15.5x7.5x7	16,500
NL3000(M)	CHIP CONVEYOR	12.5x3x5	870
NL4000(M)	MACHINE	16x7.5x8	25,000
NL4000(M)	CHIP CONVEYOR	14x3.1x5	1,925
NL5000(M)	MACHINE	16x7.5x8	25,500
NL5000(M)	CHIP CONVEYOR	14x3.1x5	1,925
NL5000L(M)	MACHINE	20x7.5x8	32,000
NL5000L(M)	CHIP CONVEYOR	18x3.1x5	2,500
NL6000(M)	MACHINE	18.7x7.5x8.4	35,250
NL6000(M)	CHIP CONVEYOR	15.9x7.5x5.75	2,350
NL6000L(M)	MACHINE		
NL7000L(M)	MACHINE		
NL7000XL(M)	MACHINE		

00B0010603N

CYLINDER SPECIFICATION			
CYLINDER INSIDE DIAMETER	215 mm		
PISTON STROKE	35 mm		
PISTON THRUST 유압력 4.0MPa (40.8 kgf/cm ²)	PUSH 105 kN PULL 101 kN (233mm)		
최고유압력	4.5 MPa (45 bar)		
최고회전수	3600 rpm		
WEIGHT	40kgf		
Moment of inertia	0.28kg m ²		
DRAIN양	ISO VG.32, 50, 3.0MPa		
	4.5 liter/min		

CHUCK SPECIFICATION			
PLUNGER STROKE	23 mm		
JAW STROKE (직경)	10.6 mm		
PLUNGER 허용추력	5608kgf (55kN)		
최대 피압력	1488kgf (144kN)		
최고 회전수	3000 r.p.m.		
WEIGHT (SOFT JAW 부속)	62 kgf		
G.D ² (SOFT JAW 부속)	0.848 kgf.m ²		
최고 회전중 피압력	4840 kgf		
시용 CYLINDER	SD-21510		
최대 선회 유압력	26 kg/cm ²		

NO.	DWG NO.	NAME	MAT'L	Q'TY	REMARK
1	N2590805A00	PROXIMITY SWITCH		2	FL7M-36HD-C
2	N3090802A00	HYD. CYLINDER		1	SD21510CU-21CS
3	S0221212	SOCKET HEAD BOLT		6	M12X120
4					
5					
6	N3090102B00	DRAW PIPE	STKM13C	1	
7	N3090801A00	HYD. CHUCK		1	MH12A11(M112XP2.0)
8	N3090803A00	HARD JAW		1	SB12B1
9	M3090804A00	SOFT JAW		3	HB12A1
10	S0210825	SOCKET HEAD BOLT		4	M8X25
11	S2530800	SPRING WASHER		4	M8
12	N3090103A00	BRACKET	SS400	1	
13	N3090104A00	CHUCK COVER	SCP1	1	
14	S0210612	SHB		3	M6X12



NOTE

1. NL3000B/NL3000BM 12" HOLLOW CHUCK 사양임.
2. CHUCK & CYLINDER SPEC. (삼천리)
 - 2.1 HYD. CHUCK : MH212+AP15A11T12(M112XP2.0)
 - 2.2 HYD. CYLINDER : SD21510CU+SD21CS(M112XP2.0)
3. 주축관동경 $\phi 115$, 2,800rpm 사양임.

REVISION			
MARK	REVISION	DATE	REV'D
B	CYLINDER ADAPTOR 삭제	0921.4	SLW

GENERAL INFORMATION			
APPROVED	DATE	APPROVED	DATE
J.W SHIN	2018.12.20	K. PARK	2018.12.20

GENERAL INFORMATION	HEAT TREATMENT	SMTK
0.5~ 6 ± 0.1		
30~ 120 ± 0.2		
120~ 315 ± 0.3		
315~ 1000 ± 0.5		
1000~ 2000 ± 1.2		
2000~ 5000 ± 1.2		

UNIT ASS'Y	NAME
NL3000B	CHUCKING

SCALE	NAME
1/1.75	HOLLOW CHUCKING ASS'Y

DATE	CHK'D	APP'D	SCALE
2018.12.20			N 3 0 9 1 0 0 B 1 0