



SL 280M

**Installation
Packet**

2.3. Overall drawing

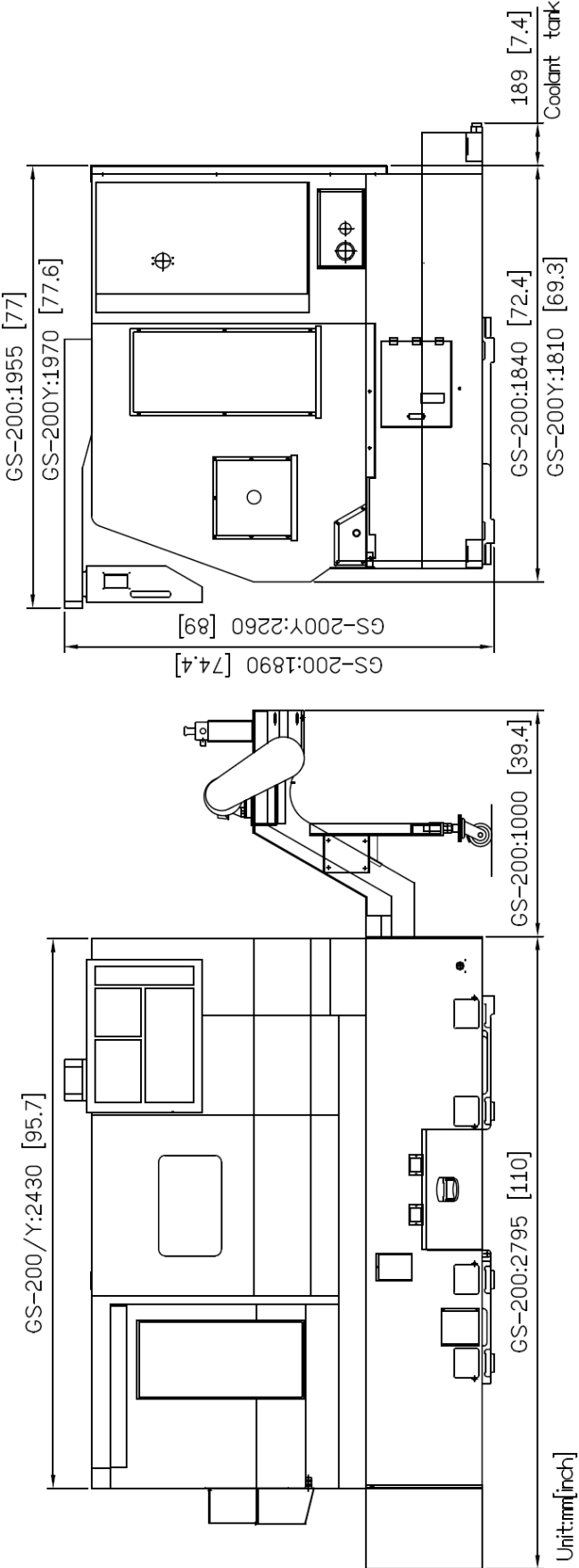


Fig. 2.3.1 GS-200/Y Machine Size

3.2 Requirements of the foundation

The foundation has great effects on the accuracy of the machine, and machining accuracy by machine installation.

Therefore, a foundation site must be selected with full care.

* Dimension should be according to the conditions of the ground.

* Foundation strength: over than 35.8 kPa ◦

(: 35.8 kPa / : 32.2 kPa)

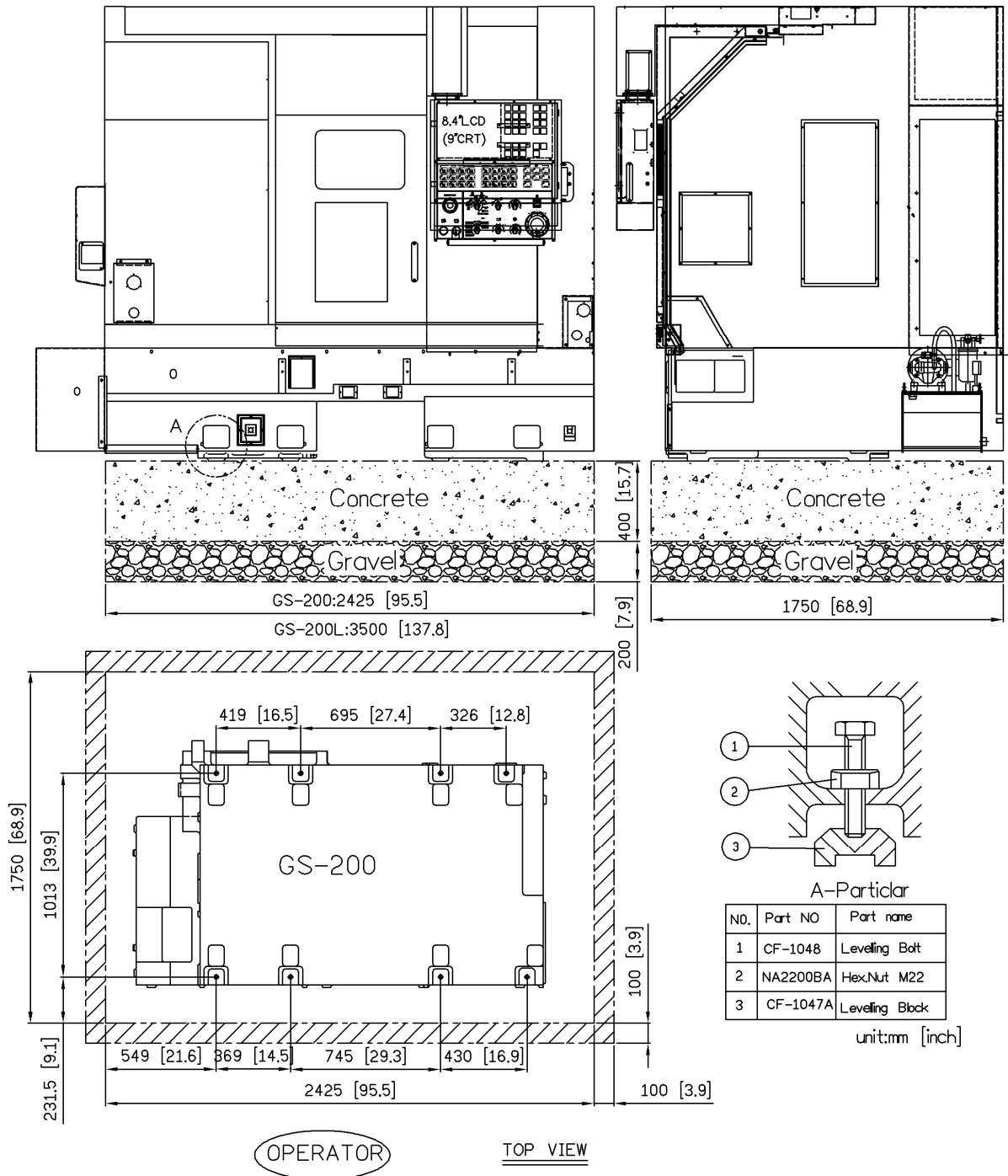


Fig. 3.2.1

Conestoga Trailers arranged by Walsh Logistics required for all machine shipments

Model	Description	ESTIMATED PACKING	
		(Size - FEET)	(Size - LBS)
SL 15	MACHINE	9'7 x 7'6 x 6'11	8,333
SL 20	MACHINE	9'7 x 7'6 x 6'11	8,333
SL 26	MACHINE	9'8 x 7'7 x 6'11	8,333
SL 15M	MACHINE	9'7 x 7'6 x 6'11	8,708
SL 26M	MACHINE	9'8 x 7'7 x 6'11	8,863
SL 15YS	MACHINE	11'11 x 7' x 7'8	8,598
SL 20YS	MACHINE	11'11 x 7'7 x 7'8	8,598
SL 280LYS			
SL 200	MACHINE	13'11 x 7'5 x 6'9	11,023
SL 260(M)	MACHINE	16'5 x 7'5 x 7'4	11,023
SL 280(M)	MACHINE	14' x 7'7 x 6'10	13,029
SL 280L	MACHINE	16'5 x 7'5 x 7'4	13,228
SL 3500	MACHINE	17'3 x 7'7 x 8'	20,613
SL 4500	MACHINE	17'9 x 7'7 x 8'	21,980
SL4500L	MACHINE	21' x 7.5' x 8.4'	32,017
SL4500L	CONVEYOR	16'x7.5'x6'	2,028
SL 5500	MACHINE	23.2'x7.5'8.5'	41,887
SL 5500	CONVEYOR	19'x7.5'6.5'	8,818

2.7.2. Power turret tooling system

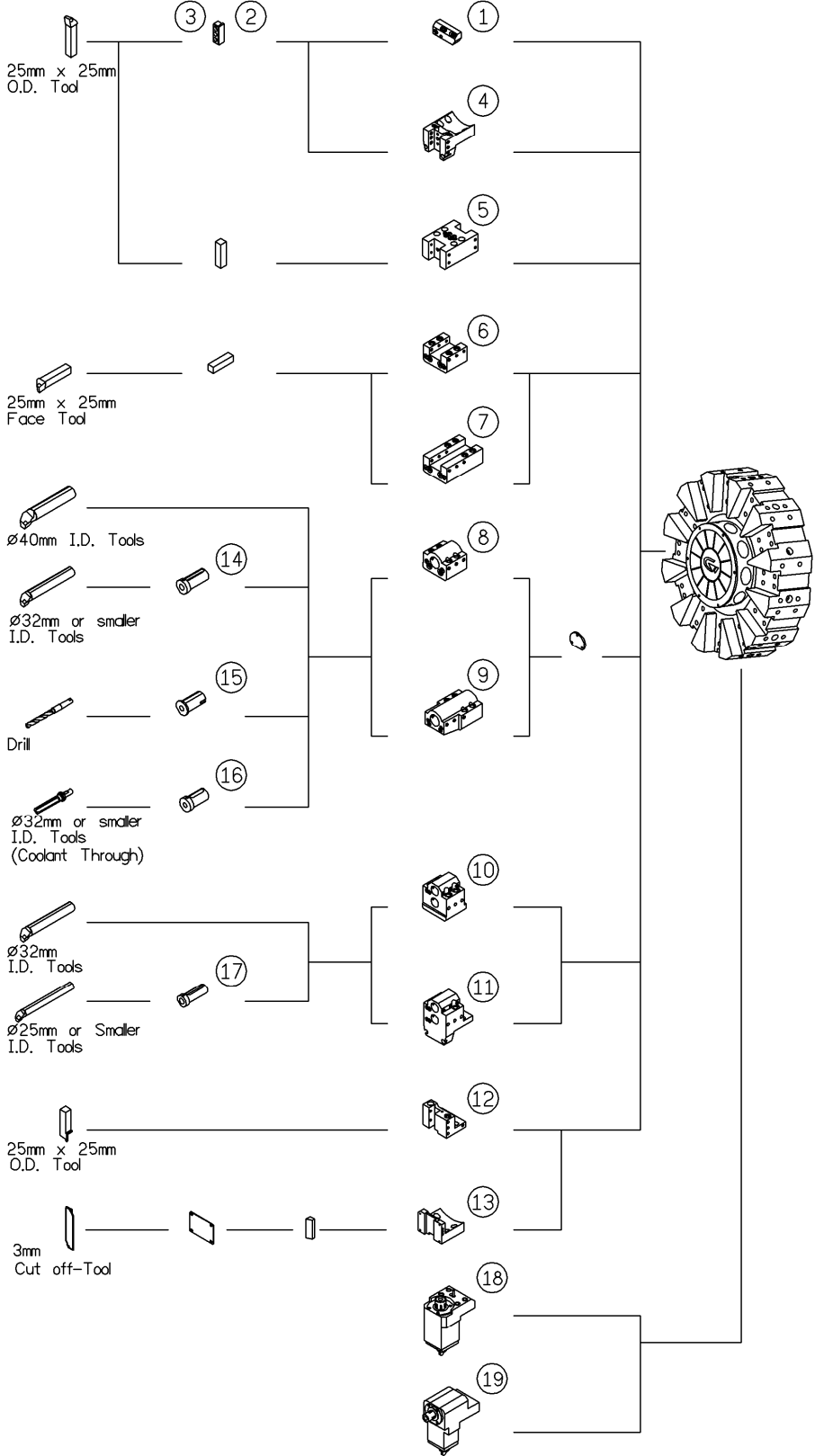
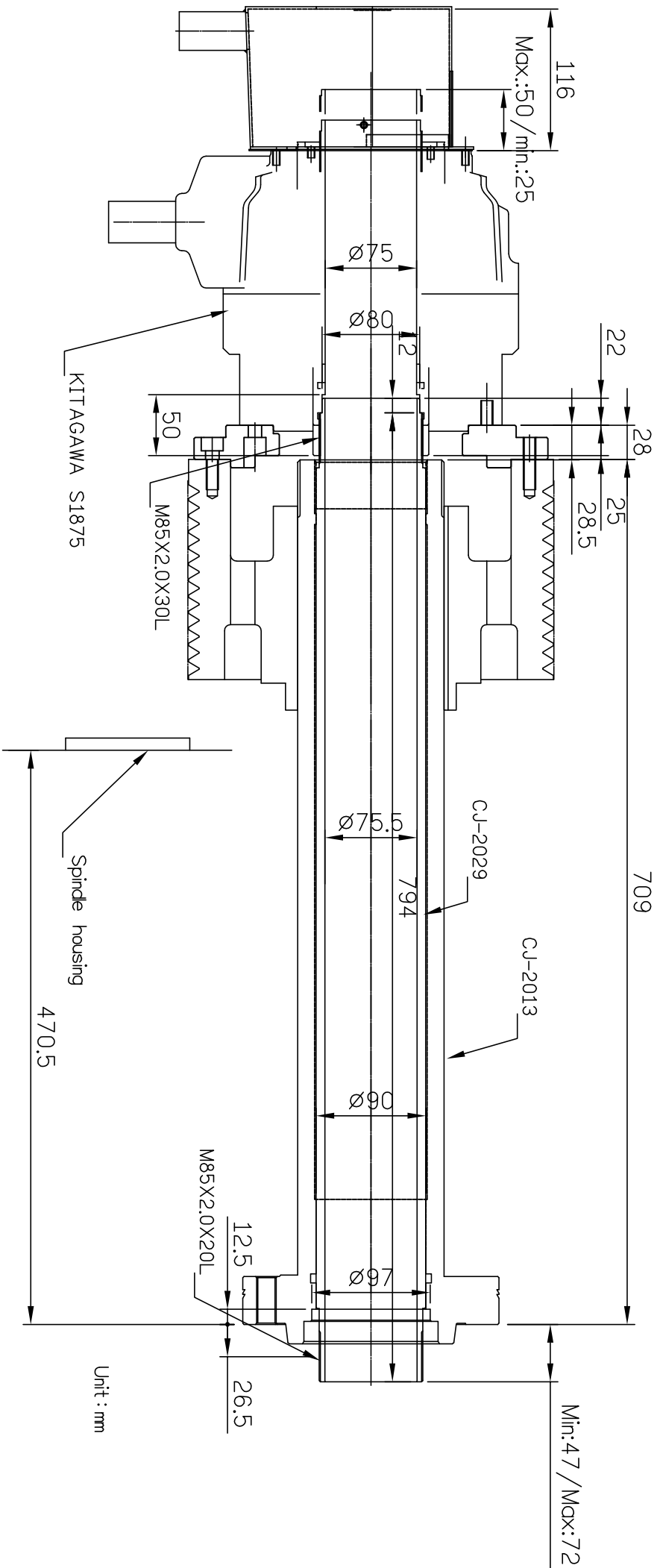


Fig. 2.7.3 12 Stations tooling system (non-lifting turret disk technology)
 *The information of tooling system please refer to Ch. 7.1.2

British				GS-200M/Y	GS-200MS/YS
No.	Part Name	Part No.	Spec.(Inch)	Qty.	Qty.
1	Block	CR-3077		6	6
2	Clamp piece	CV-3046		6	--
3	Clamp piece	CV-3045		6	--
4	O.D. Cutting Tool Holder	CR-3115	□1	2	1
5	Double O.D. Cutting Tool Holder	CR-3110	□1	--	1
6	Face Cutting Tool Holder	CR-3111	□1	--	--
7	Face Cutting Tool Holder (long)	CR-3112	□1	1	1
8	Boring Bar Holder / Throw-away Drill Holder	CR-3106	φ 1.5	--	--
9	Boring Bar Holder (long)	CR-3109	φ 1.5	6	4
10	Double Boring Bar Holder	CR-3107	φ 1.25	--	--
11	Double Boring Bar Holder	CR-3114	φ 1.25	--	2
12	Cut-off Tool Holder	CR-3105	□1	1	1
13	Cut-off Tool Holder (Grooving type)	CR-3096A	0.12	--	1
14	Boring Bush (OD:1.5")	CJ-3112A	φ 0.5	1	1
		CJ-3112B	φ 0.625	1	1
		CJ-3112C	φ 0.375	1	1
		CJ-3112D	φ 0.25	1	1
		CJ-3112E	φ 0.325	1	1
		CJ-3110A	φ 0.75	1	1
		CJ-3110B	φ 1	1	1
		CJ-3110C	φ 1.25	1	1
15	Drill Socket (OD:1.5")	CV-3204A	φ 1	1	1
		CV-3204B	φ 1.25	1	1
16	Boring Bush (OD:1.5")	CJ-3107	MT#2	1	1
		CJ-3113	MT#3	1	1
17	Boring Bush (OD:1.25")	CF-3104A	φ 0.75	--	1
		CF-3104B	φ 1	--	1
		CF-3105A	φ 0.5	--	1
		CF-3105B	φ 0.375	--	1
		CF-3105C	φ 0.625	--	1
		CF-3105D	φ 0.25	--	1

18	0° Power driven tool	CR-3680	ER32	OP	OP
19	90° Power driven tool	CR-3660	ER32	OP	OP



Unit : mm